

ULB02

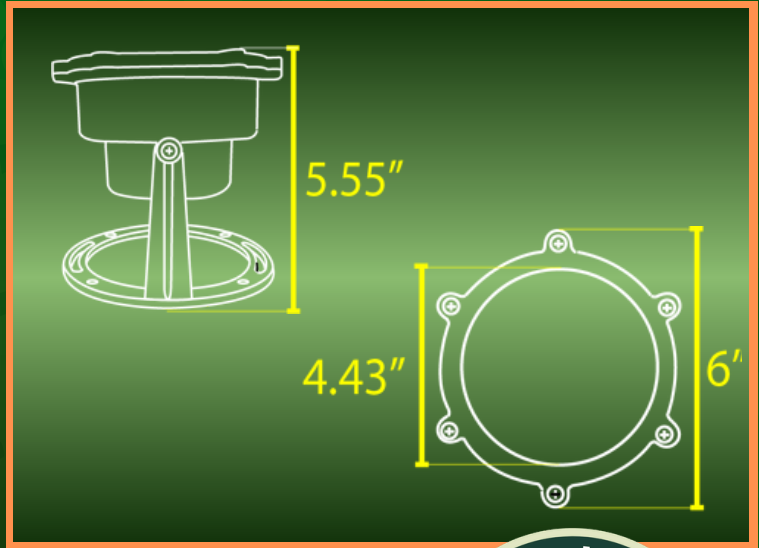
UNDERWATER LIGHT



**HEAVY DUTY
CAST BRASS**



SPEC SHEET



FINISH:



THE ULB02 BRASS FLOOD / UNDERWATER POND LIGHT IS A DURABLE LOW-VOLTAGE FIXTURE DESIGNED FOR UNDERWATER AND WET-LOCATION APPLICATIONS WHERE LONG-TERM RELIABILITY AND A PREMIUM APPEARANCE MATTER. BUILT FROM HEAVY-DUTY CAST BRASS AND FINISHED IN NATURAL BRASS, THIS MODEL IS MADE FOR CUSTOMERS WHO WANT A STRONGER, LONGER-LASTING ALTERNATIVE TO STANDARD DECORATIVE POND OR FOUNTAIN LIGHTING. ITS SOLID BRASS CONSTRUCTION GIVES THE FIXTURE A PROFESSIONAL-GRADE FEEL WHILE ALSO HELPING IT WITHSTAND DEMANDING OUTDOOR AND WATER-FEATURE ENVIRONMENTS.

DESIGNED FOR USE WITH A 12V PAR36 LED LAMP SOLD SEPARATELY, THE ULB02 GIVES INSTALLERS THE FLEXIBILITY TO CHOOSE THE LAMP OUTPUT AND COLOR TEMPERATURE THAT BEST FITS THE PROJECT. THE PRODUCT PAGE LINKS COMPATIBLE PAR36 OPTIONS, INCLUDING VERSIONS WITH 3000K, 4000K, 5000K & RGBCW CHOICES, MAKING THIS FIXTURE ADAPTABLE FOR WARMER DECORATIVE EFFECTS OR CLEANER, BRIGHTER ILLUMINATION DEPENDING ON THE SETTING.

MASTER BOX

**12
PIECES**

INCLUDED:

**20 FEET
WIRE
NUMBER
16**

WATERPROOF
RATING:

IP68



YOUTUBE VIDEO
INSTALLATION GUIDE



WEBSITE



CATALOG

ABBA
LIGHTING USA
12V Landscape Light Specialist



(800) 360-2960



ABBALightingUSA@gmail.com



7701 Alabama Ave, Canoga Park, CA 91304