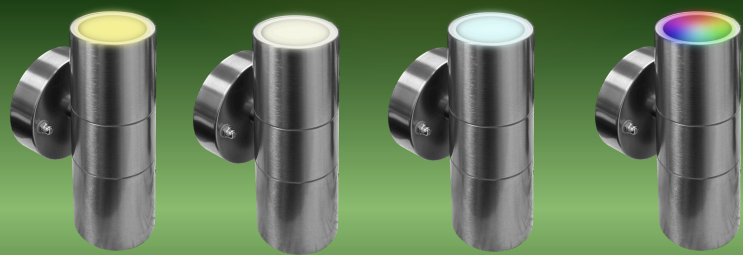
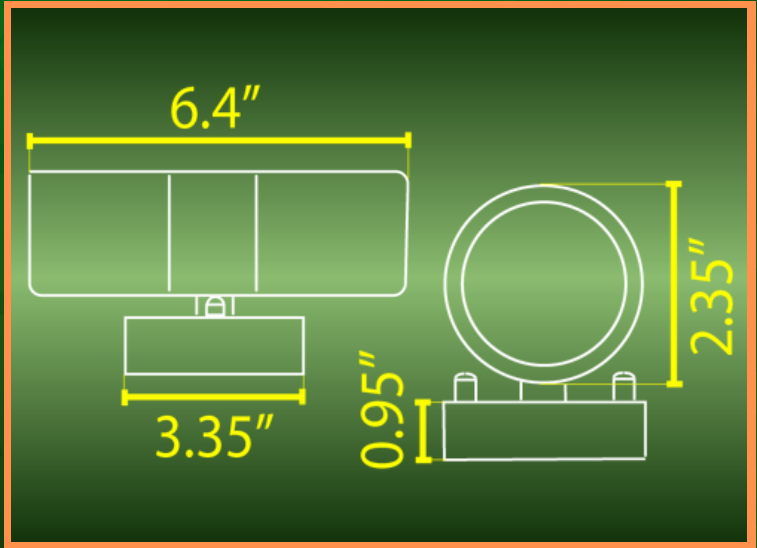


SCS06

WALL LIGHT

STAINLESS
STEEL

SPEC SHEET



3000K 4000K 5000K RGBCW



FINISH:



ELEGANT, DURABLE, AND ENGINEERED FOR ENDURING PERFORMANCE, THE SCS06 STAINLESS STEEL WALL LIGHT BY ABBA LIGHTING USA ELEVATES BOTH RESIDENTIAL AND COMMERCIAL SPACES WITH TAILORED ILLUMINATION AND ARCHITECTURAL INTEGRITY. THIS PREMIUM WALL FIXTURE OFFERS DUAL-DIRECTIONAL MR16 LIGHTING IN A ROBUST CYLINDRICAL FORM, DESIGNED TO CREATE DRAMATIC LIGHT ACCENTS WHILE WITHSTANDING OUTDOOR CONDITIONS.

- SOLID 305 STAINLESS STEEL HOUSING: CRAFTED FROM MARINE-GRADE STAINLESS, THE SCS06 RESISTS CORROSION AND STAINS WHILE MAINTAINING A POLISHED SURFACE FINISH—IDEAL FOR COASTAL AREAS, POOLSIDES, OR COMMERCIAL EXTERIORS.
- IP65 WATERPROOF CONSTRUCTION: FULLY SEALED AGAINST DUST AND WATER JETS. THIS SCONCE OFFERS RELIABLE OUTDOOR PERFORMANCE—EVEN IN SEVERE WEATHER CONDITIONS.
- DUAL BULB CONFIGURATION: EQUIPPED WITH TWO MR16 BI-PIN SOCKETS (BULBS NOT INCLUDED), THIS FIXTURE DELIVERS UP-AND-DOWN LIGHTING—CASTING ARCHITECTURAL SHADOWS AND WELCOMING GLOWS WITHOUT GLARE.
- BULB COMPATIBILITY: ACCEPTS 12V MR16 LED BULBS IN A VARIETY OF FINISHES AND OUTPUTS—RANGING FROM 3W SPOT LEDS TO 7W FLOODS, AND AVAILABLE IN CRISP WHITES (2700-5000 K) OR VIBRANT RGB TONES.

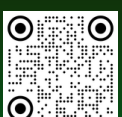
MASTER BOX

**20
PIECES**

INCLUDED:

**BACK
PLATE**

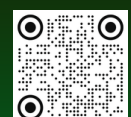
WATERPROOF
RATING:



YOUTUBE VIDEO
INSTALLATION GUIDE



WEBSITE



CATALOG

ABBA
LIGHTING USA
12V Landscape Light Specialist

(800) 360-2960

ABBALightingUSA@gmail.com

7701 Alabama Ave, Canoga Park, CA 91304