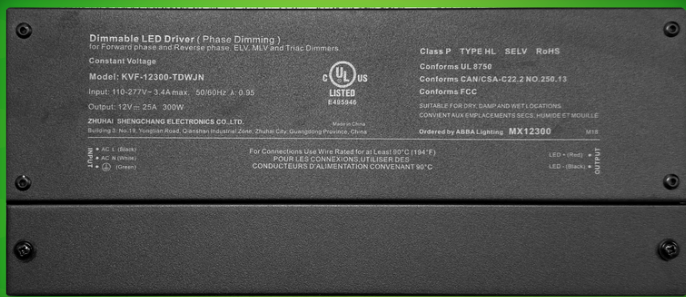


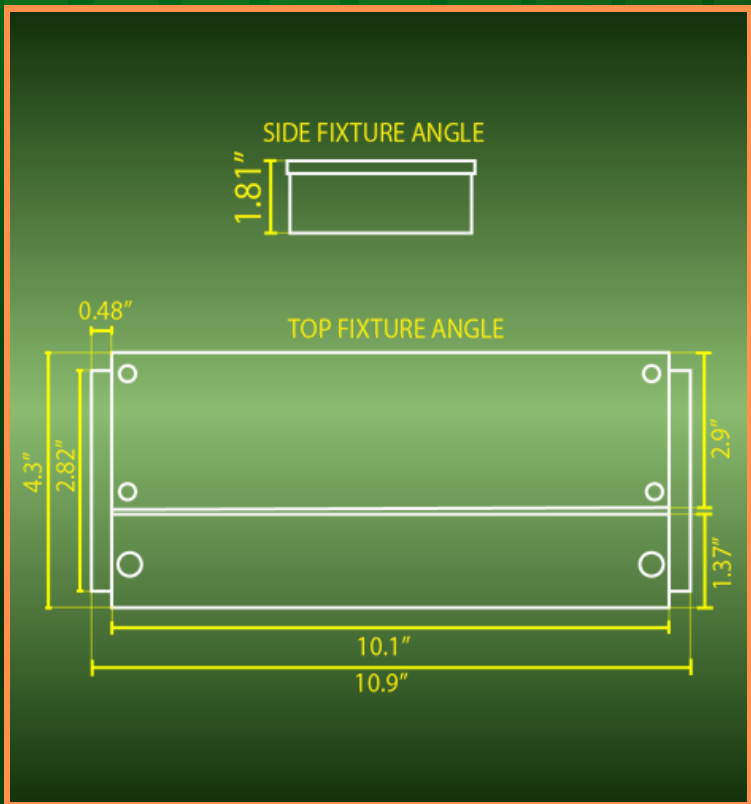
MX12300

TRANSFORMER

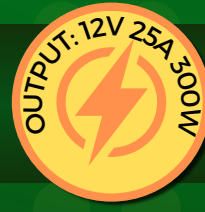
OFFERS BOTH
HARDWIRED
AND
PIG TAIL CONECTION



SPEC SHEET



PIGTAIL CONNECTOR
SOLD SEPARATELY



THE MX12300 DIMMABLE CONSTANT VOLTAGE LED DRIVER IS A HIGH-CAPACITY LOW-VOLTAGE POWER SUPPLY DESIGNED TO PROVIDE STABLE 12V DC OUTPUT FOR COMPATIBLE LED LIGHTING SYSTEMS. ACCORDING TO THE PRODUCT LABEL, THIS UNIT IS A DIMMABLE LED DRIVER WITH PHASE DIMMING CAPABILITY AND IS INTENDED FOR USE WITH FORWARD PHASE AND REVERSE PHASE DIMMERS, INCLUDING ELV, MLV, AND TRIAC DIMMERS. THIS MAKES IT A PRACTICAL SOLUTION FOR LARGER LED INSTALLATIONS THAT REQUIRE DEPENDABLE DIMMING PERFORMANCE AND CONSISTENT LOW-VOLTAGE POWER DELIVERY.

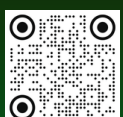
BUILT AS A CONSTANT VOLTAGE DRIVER, THE MX12300 ACCEPTS A WIDE 110-277V AC INPUT RANGE AND CONVERTS IT TO 12V DC OUTPUT, DELIVERING UP TO 25A WITH A MAXIMUM POWER RATING OF 300W. THIS HIGHER OUTPUT CAPACITY MAKES IT WELL SUITED FOR APPLICATIONS REQUIRING GREATER WATTAGE SUPPORT WHILE MAINTAINING STABLE 12V DC PERFORMANCE.



YOUTUBE VIDEO
INSTALLATION GUIDE



WEBSITE



CATALOG



(800) 360-2960



ABBALightingUSA@gmail.com



7701 Alabama Ave, Canoga Park, CA 91304