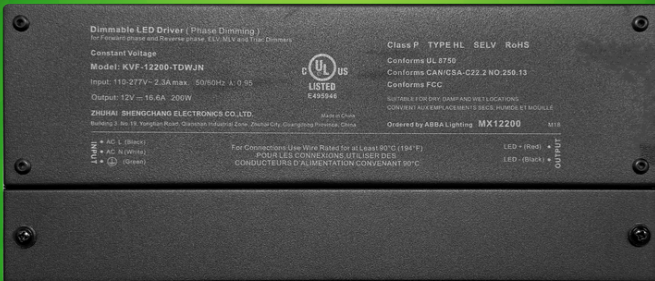


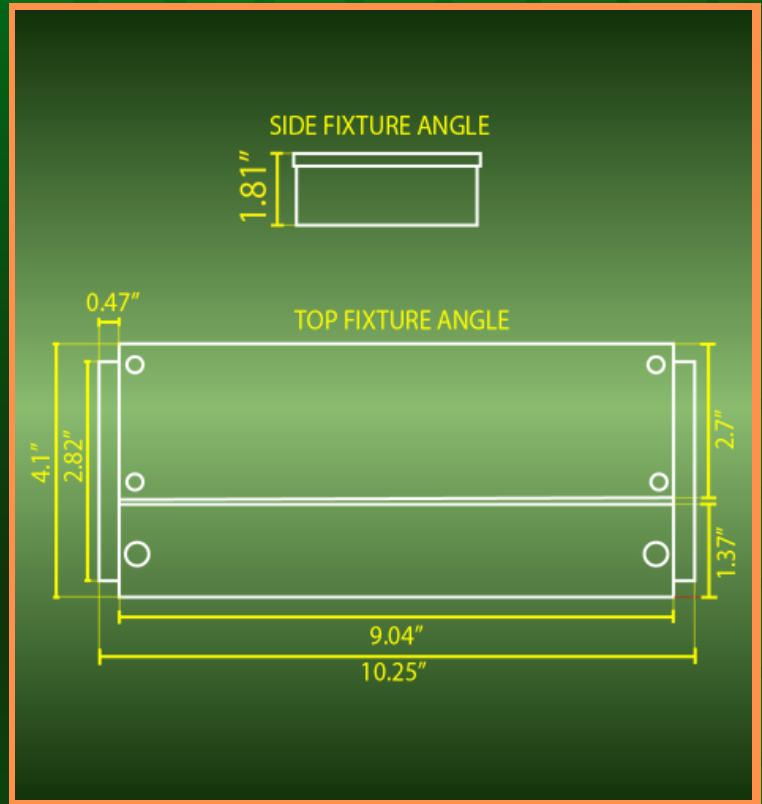
# MX12200

## TRANSFORMER

OFFERS BOTH  
HARDWIRED  
AND  
PIG TAIL CONNECTION



## SPEC SHEET



PIGTAIL CONNECTOR  
SOLD SEPARATELY



THE MX12200 DIMMABLE CONSTANT VOLTAGE LED DRIVER IS A DEPENDABLE LOW-VOLTAGE POWER SUPPLY ENGINEERED TO PROVIDE STABLE 12V DC OUTPUT FOR COMPATIBLE LED LIGHTING SYSTEMS. DESIGNED FOR PROFESSIONAL LIGHTING APPLICATIONS, THIS UNIT IS LABELED AS A DIMMABLE LED DRIVER WITH PHASE DIMMING CAPABILITY AND IS INTENDED FOR USE WITH FORWARD PHASE AND REVERSE PHASE DIMMERS, INCLUDING ELV, MLV, AND TRIAC DIMMERS.

BUILT AS A CONSTANT VOLTAGE DRIVER, THE MX12200 ACCEPTS A WIDE 110-277V AC INPUT RANGE AND CONVERTS IT TO 12V DC OUTPUT, DELIVERING UP TO 16.6A WITH A MAXIMUM LOAD OF 200W. THIS MAKES IT SUITABLE FOR LED APPLICATIONS THAT REQUIRE HIGHER WATTAGE CAPACITY WHILE MAINTAINING CONSISTENT LOW-VOLTAGE POWER DELIVERY.



YOUTUBE VIDEO  
INSTALLATION GUIDE



WEBSITE



CATALOG

ABBA  
LIGHTING USA  
12V Landscape Light Specialist



(800) 360-2960



ABBALightingUSA@gmail.com



7701 Alabama Ave, Canoga Park, CA 91304