

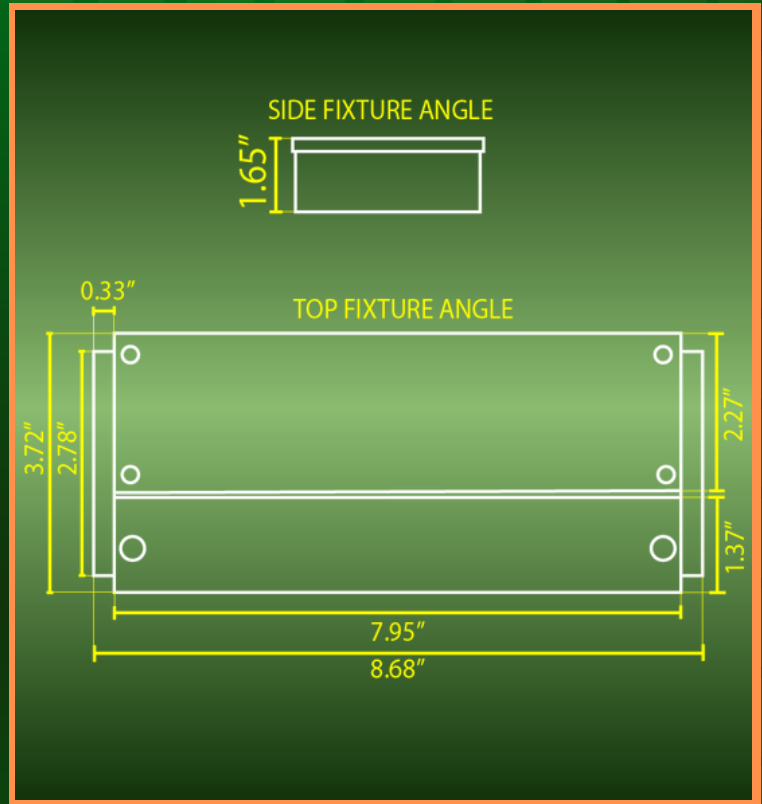
MX12100

TRANSFORMER

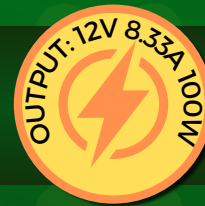
OFFERS BOTH
HARDWIRED
AND
PIG TAIL CONECTION



SPEC SHEET



PIGTAIL CONNECTOR
SOLD SEPARATELY



THE MX12100 DIMMABLE CONSTANT VOLTAGE LED DRIVER IS A PROFESSIONALLY ENGINEERED LOW-VOLTAGE POWER SUPPLY DESIGNED TO DELIVER STABLE 12V DC OUTPUT FOR COMPATIBLE LED LIGHTING APPLICATIONS. BUILT FOR DEPENDABLE PERFORMANCE AND BROAD DIMMER COMPATIBILITY, THIS LED DRIVER SUPPORTS PHASE DIMMING AND IS LABELED FOR USE WITH FORWARD PHASE AND REVERSE PHASE DIMMERS, INCLUDING ELV, MLV, AND TRIAC DIMMERS. THIS MAKES IT A PRACTICAL SOLUTION FOR PROJECTS REQUIRING SMOOTH DIMMING CONTROL AND CONSISTENT LOW-VOLTAGE LED OPERATION.

DESIGNED AS A CONSTANT VOLTAGE DRIVER, THE MX12100 CONVERTS A WIDE 100-277V AC INPUT RANGE INTO 12V DC OUTPUT, PROVIDING UP TO 8.33 AMPS AND A MAXIMUM LOAD OF 100 WATTS. ITS WIDE INPUT VOLTAGE RANGE ALLOWS IT TO BE USED IN A VARIETY OF INSTALLATION ENVIRONMENTS WHERE RELIABLE VOLTAGE CONVERSION IS ESSENTIAL FOR PROPER LED SYSTEM PERFORMANCE.



YOUTUBE VIDEO
INSTALLATION GUIDE



WEBSITE



CATALOG

ABBA
LIGHTING USA
12V Landscape Light Specialist



(800) 360-2960



ABBALightingUSA@gmail.com



7701 Alabama Ave, Canoga Park, CA 91304