

FPB00005

FLOOD LIGHT



INSTALLATION GUIDE

ABBA LIGHTING USA

FPB0005

FLOOD LIGHT



HEAVY DUTY
CAST
BRASS

FINISH



3000K



4000K



5000K

FLOOD LIGHTS

FLOOD LIGHT



ABS
GROUND
SPIKE
INCLUDED

ADJUSTABLE
ANGLE



Thank you for choosing our high-quality product. To ensure the best possible experience, please take a moment to carefully read and follow all instructions before assembly, installation, and use. Doing so will not only guarantee proper function and safety but also help you maximize the full potential of this exceptional product. We truly appreciate your business and are honored to be your trusted provider of top-notch products!



YOUTUBE VIDEO
INSTALLATION GUIDE



WEBSITE



CATALOG



(800) 360-2960



ABBALightingUSA@gmail.com



7701 Alabama Ave, Canoga Park, CA 91304

WARNING

TO REDUCE THE RISK OF FIRE OR INJURY TO PERSONS:

- ✔ Please exercise caution when using the lamp, as it tends to HEAT up rapidly. We recommend taking necessary safety measures to ensure optimal usage.
- ✔ For your safety, please refrain from touching the HOT lens, guard, or enclosure. We recommend waiting for the product to cool down before handling it.
- ✔ To prevent any fire hazards, please ensure that the lamp is kept away from materials that may easily catch fire. We appreciate your cooperation in maintaining a safe and secure environment.
- ✔ For safety reasons, we recommend that only a qualified professional install this electrical product.
- ✔ Before attempting to install this unit, ensure all power connections are off for your own safety.

WARRANTY

- We stand behind the quality of our product and offer a 3 Year warranty. Kindly ensure that you keep the proof of purchase as it will be required for any warranty claims.
- Warranty will be void if there is any damage due to improper usage or modification to the fixture.
- Failure to comply with the instruction in this manual may increase the risk of damage or injury and will void warranty.



YOUTUBE VIDEO
INSTALLATION GUIDE



WEBSITE



CATALOG



(800) 360-2960



ABBALightingUSA@gmail.com



7701 Alabama Ave, Canoga Park, CA 91304

CAUTION:

FIXTURE(S) MUST BE INSTALLED IN ACCORDANCE WITH ALL LOCAL CODES AND ORDINANCES.

DO NOT INSTALL WITHIN 10 FEET OF A POOL, SPA OR FOUNTAIN

PRODUCT OVERVIEW

The FPBCC05 3CCT Brass Flood Light is a premium low-voltage landscape fixture built for projects that need stronger output, dependable outdoor durability, and flexible light control in one professional-grade design. Made with a heavy-duty cast brass body and finished in natural brass, this fixture offers a refined appearance while delivering the long-term strength expected from high-quality brass landscape lighting. It is designed as an integrated LED flood light, making it a practical option for installers and property owners who want a clean, durable, and efficient lighting solution for outdoor environments.

One of the biggest advantages of the FPBCC05 is its adjustable 3W to 10W output, which gives the fixture more versatility than a standard fixed-output flood light. This allows it to be used across a wider range of lighting layouts, from softer accent illumination to more powerful flood coverage depending on the needs of the project. It also features 3CCT selectable color temperature, giving users the ability to choose between 3000K, 4000K, and 5000K for a warmer, more neutral, or brighter white appearance. That built-in flexibility makes the fixture especially useful for landscapes and architectural settings where the final lighting effect needs to be fine-tuned on site.

In addition to its flexibility, the FPBCC05 is designed for reliable exterior performance. The fixture is listed with an IP65 waterproof rating, a heat-resistant glass lens, and a UV-treated, weather-resistant finish, helping it stand up to demanding outdoor conditions. It also includes a 20-inch wire lead and an ABS ground spike, which adds convenience during installation in landscape beds and other outdoor applications. With output rated at approximately 180 to 900 lumens and dimming capability included, this model is well suited for customers looking for a brass flood light that combines strength, control, and visual versatility.



YOUTUBE VIDEO
INSTALLATION GUIDE



WEBSITE



CATALOG



(800) 360-2960



ABBALightingUSA@gmail.com



7701 Alabama Ave, Canoga Park, CA 91304

CAUTION:

FIXTURE(S) MUST BE INSTALLED IN ACCORDANCE WITH ALL LOCAL CODES AND ORDINANCES.

DO NOT INSTALL WITHIN 10 FEET OF A POOL, SPA OR FOUNTAIN

IP65 Weatherproof for Harsh Outdoor Conditions

Engineered for performance in all seasons, the FPBCC05 boasts an IP65 rating, offering complete protection from dust, rain, and moisture. Whether you're lighting near water features, under trees, or in coastal regions, this spotlight performs reliably year-round.

Quick Installation with Ground Spike & Pre-Wired Leads

This fixture comes ready for installation with an 8" heavy-duty ground spike and pre-wired leads, streamlining setup for contractors and DIY homeowners alike. The adjustable head ensures you can direct light exactly where needed.

IDEAL APPLICATIONS

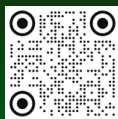
- Highlighting trees, shrubs, and garden features
- Illuminating architectural elements and facades
- Accent lighting for pathways and walkways
- Enhancing outdoor living spaces like patios and decks
- Adding security lighting around entrances and driveways



YOUTUBE VIDEO
INSTALLATION GUIDE



WEBSITE



CATALOG



(800) 360-2960



ABBALightingUSA@gmail.com



7701 Alabama Ave, Canoga Park, CA 91304

CAUTION:

FIXTURE(S) MUST BE INSTALLED IN ACCORDANCE WITH ALL LOCAL CODES AND ORDINANCES.

DO NOT INSTALL WITHIN 10 FEET OF A POOL, SPA OR FOUNTAIN

Pathway & Driveway Lighting:

- Improve visibility and safety along walkways, driveways, and entry points with well-placed spot lighting.

Security & Safety Lighting:

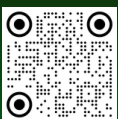
- Enhance security by illuminating dark areas around your property, deterring intruders and improving nighttime visibility.

TECHNICAL SPECIFICATIONS

- Material: Solid Cast Brass
- Finish Options: Natural Brass
- Power: Adjustable wattage 3W - 10W
- Voltage: 12V Low Voltage
- Waterproof Rating: IP65
- Installation: Includes ABS ground spike for easy installation

IMPORTANT SAFETY INFORMATION

To ensure optimal performance and safety, always use our fixtures ONLY with a low-voltage landscape transformer. This transformer reduces the voltage from 120V to 12V, making it safe and suitable for outdoor use. Failure to follow these guidelines may result in electrical hazards or damage to the fixture.



YOUTUBE VIDEO
INSTALLATION GUIDE



WEBSITE



CATALOG



(800) 360-2960



ABBALightingUSA@gmail.com



7701 Alabama Ave, Canoga Park, CA 91304

INSTALLATION GUIDE FOR FPBCC05

STEP-BY-STEP INSTALLATION INSTRUCTIONS

Step 1: Plan Your Layout

- **Determine Placement:** Choose the path or area where the lights will be installed. Measure the distance between lights to ensure even illumination. A typical spacing is 6–10 feet apart, depending on the desired light spread.
- **Consider Power Source:** Ensure that the Spotlight can be connected to a suitable power source. Ensure that the input voltage of the light cable wires is 12V AC/DC. Using improper voltage may cause malfunction or permanent damage to the fixture.

Step 2: Prepare the Ground

- **Dig the Hole:** Using a shovel or trowel, dig a hole where you want to install the Spotlight. The hole should be deep enough to accommodate the ground stake.
- **Ensure Stability:** Make sure the hole is wide enough to allow the ground stake to sit firmly. Test-fit the stake by inserting it into the hole to ensure stability before proceeding.

Step 3: Establish a Secure Electrical Connection

For a dependable and long-lasting electrical connection between the fixture wires and the main line in outdoor or underground installations, follow these guidelines:

- Use a direct burial-rated main cable connector designed to withstand environmental conditions, resist moisture and corrosion, and provide robust insulation.
- We recommend using WN12 waterproof wire nuts (sold separately) for optimal connectivity and protection against the elements.



YOUTUBE VIDEO
INSTALLATION GUIDE



WEBSITE



CATALOG



(800) 360-2960



ABBALightingUSA@gmail.com



7701 Alabama Ave, Canoga Park, CA 91304

INSTALLATION GUIDE FOR FPBCC05

Step 4: Wire Connection Instructions

Strip the insulation: Carefully strip approximately $\frac{3}{4}$ inch (1.9 cm) of insulation from the ends of the two wires to be connected. Ensure that the exposed metal ends are clean and free of frayed strands.

Align the wires: Hold the stripped ends of both wires together, making sure they are neatly aligned with no stray strands crossing over.

Twist the wire nut: Firmly twist the wire nut clockwise onto the wires until it is tight and secure.

Insert the wires into the wire nut: Push the aligned wire ends all the way into the wire nut, ensuring that the bare metal is fully covered.

Test the connection: Gently tug on each wire to ensure they are firmly held in place and will not come loose.

Inspect the connection: Ensure that no exposed wires or loose strands are visible. If the connection is not secure, remove the wire nut and repeat the process.

⚠ Note: Always follow local electrical codes and regulations when performing electrical work. If unsure or uncomfortable with electrical tasks, consult a qualified electrician. Safety should always be a top priority.

FIXTURE ASSEMBLY & INSTALLATION

Step 5: Setting the wattage

Remove the front screw of the fixture, then open the fixture. The switch will be located at the back of the module, as shown in the picture



YOUTUBE VIDEO
INSTALLATION GUIDE



WEBSITE



CATALOG



(800) 360-2960



ABBALightingUSA@gmail.com



7701 Alabama Ave, Canoga Park, CA 91304

INSTALLATION GUIDE FOR FPBCC05



To adjust the wattage, use the flat screwdriver provided with the product. Adjust the switch clockwise until you achieve the desired level of brightness. You can choose between 3W, 4.5W, 6W, 7.5W, 9W & 10W.

To change the CCT of the fixture, locate the arrow sign on the fixture and switch it back and forth from positions 0 to 5 three times. Each time you complete the sequence, the CCT will change to a different setting. Continue switching the arrow sign until you reach the desired CCT.

0 = 3W, 1 = 4.5W, 2 = 6W, 3 = 7.5W, 4 = 9W & 5 = 10W

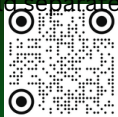
Connect the wires using
WV12 (Sold separately)



YOUTUBE VIDEO
INSTALLATION GUIDE



WEBSITE



CATALOG



(800) 360-2960



ABBALightingUSA@gmail.com



7701 Alabama Ave, Canoga Park, CA 91304

INSTALLATION GUIDE FOR FPBCC05

Step 6: Final Adjustments

- Make any final angle adjustments to ensure optimal lighting coverage.
- Verify proper operation before completing the installation.
- Bury the main cable underground for safety and protection from external elements.
- Do not exceed the maximum wattage specified for the fixture to prevent overheating or damage.
- Regularly inspect and maintain your lighting system to ensure long-term reliability.



3000K



4000K



5000K



YOUTUBE VIDEO
INSTALLATION GUIDE



WEBSITE



CATALOG



(800) 360-2960

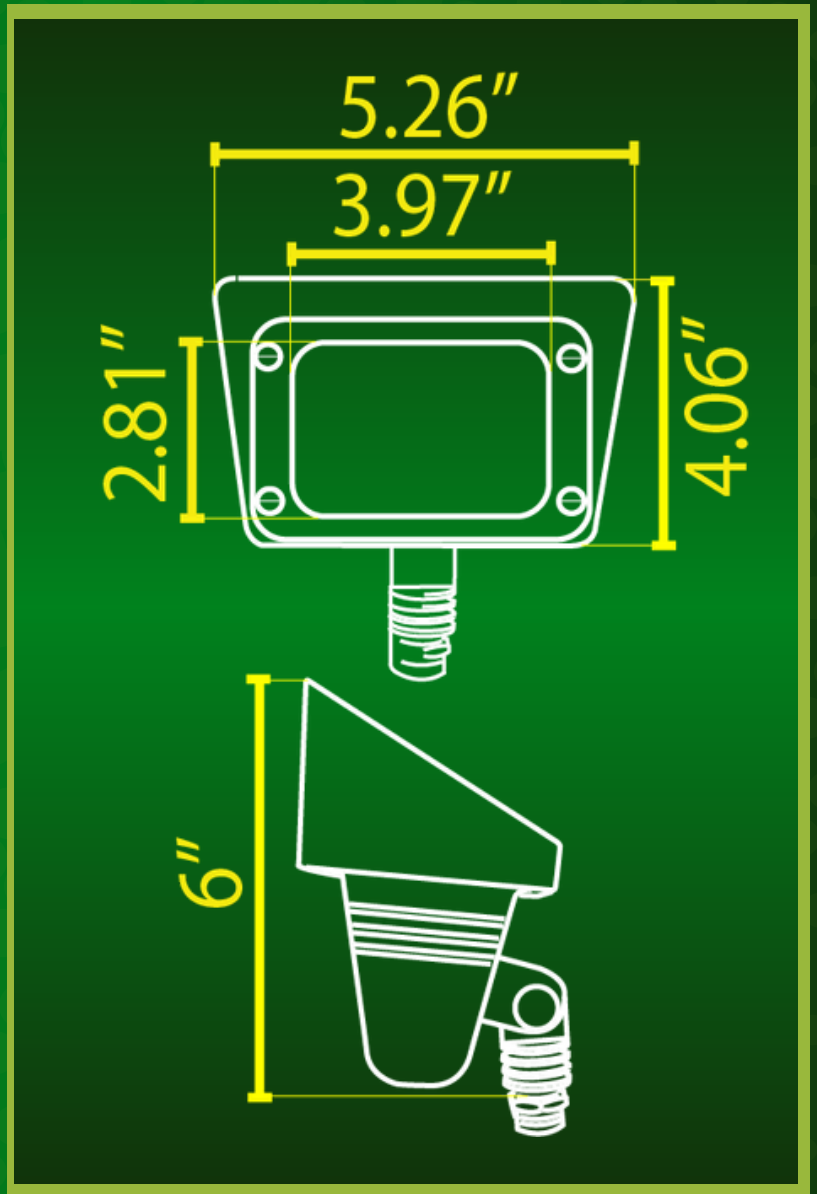


ABBALightingUSA@gmail.com



7701 Alabama Ave, Canoga Park, CA 91304

INSTALLATION GUIDE FOR FPBCC05



YOUTUBE VIDEO
INSTALLATION GUIDE



WEBSITE



CATALOG



(800) 360-2960



ABBALightingUSA@gmail.com



7701 Alabama Ave, Canoga Park, CA 91304

INSTALLATION GUIDE FOR FPBCC05

MAINTENANCE TIPS

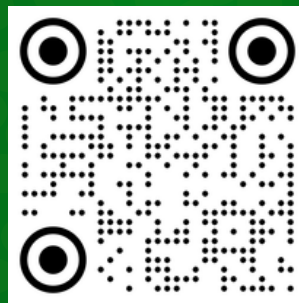
- **Regular Inspection:** Periodically check the bracket and fixture to ensure they are still securely mounted and functioning correctly.
- **Surface Maintenance:** Monitor the mounting surface, particularly trees, to ensure the bracket does not cause damage as the tree grows.

SAFETY PRECAUTIONS

- Always wear appropriate safety gear, such as gloves and safety glasses, during installation.
- Ensure the mounting surface is capable of supporting the weight of both the bracket and the lighting fixture.

ADDITIONAL RESOURCES

For a detailed video tutorial on how to install, visit our YouTube channel and search for "FPBCC05"



Please visit our website for more of our products.

www.ABBALightingUSA.com



YOUTUBE VIDEO
INSTALLATION GUIDE



WEBSITE



CATALOG



(800) 360-2960



ABBALightingUSA@gmail.com



7701 Alabama Ave, Canoga Park, CA 91304

FPBCC05

FLOOD LIGHT



ABBA LIGHTING USA