

UNSO5 WELL LIGHT



INSTALLATION GUIDE

ABBA LIGHTING USA

UNSO5 WELL LIGHT



**HEAVY DUTY
STAINLESS STEEL**



INCLUDED:
18/2
DIRECT BURY
LANDSCAPE
LIGHTING
WIRE

FEATURE:
FIXED
INNER
BRACKET



ABBA LIGHTING USA

Thank you for choosing our high-quality product. To ensure the best possible experience, please take a moment to carefully read and follow all instructions before assembly, installation, and use. Doing so will not only guarantee proper function and safety but also help you maximize the full potential of this exceptional product. We truly appreciate your business and are honored to be your trusted provider of top-notch products!



YOUTUBE VIDEO
INSTALLATION GUIDE



WEBSITE



CATALOG



(800) 360-2960



ABBALightingUSA@gmail.com



7701 Alabama Ave, Canoga Park, CA 91304

WARNING

TO REDUCE THE RISK OF FIRE OR INJURY TO PERSONS:

- ✓ Please exercise caution when using the lamp, as it tends to HEAT up rapidly. We recommend taking necessary safety measures to ensure optimal usage.
- ✓ For your safety, please refrain from touching the HOT lens, guard, or enclosure. We recommend waiting for the product to cool down before handling it.
- ✓ To prevent any fire hazards, please ensure that the lamp is kept away from materials that may easily catch fire. We appreciate your cooperation in maintaining a safe and secure environment.
- ✓ For safety reasons, we recommend that only a qualified professional install this electrical product.
- ✓ Before attempting to install this unit, ensure all power connections are off for your own safety.

WARRANTY

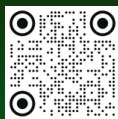
- We stand behind the quality of our product and offer a 2 year warranty. Kindly ensure that you keep the proof of purchase as it will be required for any warranty claims.
- Warranty will be void if there is any damage due to improper usage or modification to the fixture.
- Failure to comply with the instruction in this manual may increase the risk of damage or injury and will void warranty.



YOUTUBE VIDEO
INSTALLATION GUIDE



WEBSITE



CATALOG



(800) 360-2960



ABBALightingUSA@gmail.com



7701 Alabama Ave, Canoga Park, CA 91304

CAUTION:

FIXTURE(S) MUST BE INSTALLED IN ACCORDANCE WITH ALL LOCAL CODES AND ORDINANCES.

DO NOT INSTALL WITHIN 10 FEET OF A POOL, SPA OR FOUNTAIN

UNS05 Tri-Directional Stainless Steel Well Light

12V MR16 In-Ground Fixture | Solid 304 Stainless Steel | Triple Beam Design | IP65 Waterproof

Illuminate your outdoor environment with enhanced coverage and refined lighting control using the UNS05 Tri-Directional Well Light from Abba Lighting USA. Crafted for both aesthetic appeal and robust performance, this in-ground uplight merges premium materials with versatile illumination, ideal for architectural, landscape, and commercial applications.

Distinctive Design & Robust Build

Heavy-Duty Stainless Steel Housing

Built from ASTM-grade 304 stainless steel, this fixture features a polished or matte-black finish that resists corrosion and blends effortlessly into upscale hardscapes and paved surroundings.

Flush Ground Integration

Measuring approximately 3.46" in diameter and 6.09" tall (including the buried housing), the unit installs flush with the ground—maintaining clean sightlines and minimizing trip hazards.

Tri-Directional Lighting for Broader Coverage

Three-Slit Uplight Pattern

Unique tri-directional slits cast symmetrical light beams across surfaces, widening the illuminated area—ideal for lighting large paving, pathways, planters, or retaining walls.



YOUTUBE VIDEO
INSTALLATION GUIDE



WEBSITE



CATALOG



(800) 360-2960



ABBALightingUSA@gmail.com



7701 Alabama Ave, Canoga Park, CA 91304

CAUTION:

FIXTURE(S) MUST BE INSTALLED IN ACCORDANCE WITH ALL LOCAL CODES AND ORDINANCES.

DO NOT INSTALL WITHIN 10 FEET OF A POOL, SPA OR FOUNTAIN

MR16 LED Compatibility

Includes a secure internal bracket to hold the MR16 lamp in place at the optimal angle for consistent beam performance and visual effect.

Outdoor-Ready & Durable

Internal Positioning Bracket

- Includes a fixed inner bracket that secures the bulb in place, ensuring precise orientation and consistent beam angles through the three directional outlets.

Heat-Resistant Lens & UV Finish

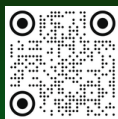
Designed with durable materials to endure bulb heat and UV exposure without degrading, maintaining both performance and aesthetic clarity.



YOUTUBE VIDEO
INSTALLATION GUIDE



WEBSITE



CATALOG



(800) 360-2960



ABBALightingUSA@gmail.com



7701 Alabama Ave, Canoga Park, CA 91304

CAUTION:

FIXTURE(S) MUST BE INSTALLED IN ACCORDANCE WITH ALL LOCAL CODES AND ORDINANCES.

DO NOT INSTALL WITHIN 10 FEET OF A POOL, SPA OR FOUNTAIN

Specification Details

Material / Finish: 304 Stainless Steel (Polished or Matte Black)

Diameter x Height 3.46" × 6" (with casing)

Voltage: 12V AC/DC Low Voltage

Bulb Type: MR16 LED (3W–7W, various CCT/RGB) – Sold Separately

Ingress Protection: IP65 (Dust-tight + Water Jet resistance)

Box Quantity: 12 units

Ideal Applications

- Step & Outdoor Stair Lighting – Enhance step edges or risers with balanced uplight
- Architectural Highlights – Illuminate dual sides of pillars, sculptures, or posts
- Landscape Accents – Soft, two-way illumination of trees or garden features
- Commercial Hardscaping – Provide symmetrical lighting for public plazas or walkways

Why Choose the UNS05?

The UNS05 combines sleek aesthetics with broad-beam functionality, engineered for seamless integration in upscale outdoor environments. Its tri-directional output delivers expansive, even illumination while its stainless-steel housing ensures resilient performance. Choose the UNS05 for lighting schemes that demand coverage, elegance, and longevity.



YOUTUBE VIDEO
INSTALLATION GUIDE



WEBSITE



CATALOG



(800) 360-2960



ABBALightingUSA@gmail.com



7701 Alabama Ave, Canoga Park, CA 91304

CAUTION:

FIXTURE(S) MUST BE INSTALLED IN ACCORDANCE WITH ALL LOCAL CODES AND ORDINANCES.

DO NOT INSTALL WITHIN 10 FEET OF A POOL, SPA OR FOUNTAIN

STEP-BY-STEP INSTALLATION INSTRUCTIONS

Safety Precautions

- Ensure the power supply is turned off before installation.
- Follow local electrical codes and regulations.
- Wear protective gloves during installation to avoid injury.
- Do not install in areas prone to excessive moisture unless properly sealed.
- Ensure all connections are waterproof for outdoor installations.

1. Preparing the Installation

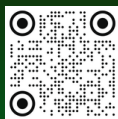
- Select a location that provides the best illumination while avoiding areas prone to standing water.
- If installing in-ground, dig a hole large enough to accommodate the fixture and the wiring.
- If installing in concrete or hard surfaces, ensure proper mounting sleeves or junction boxes are available.
- Remove the top part of the fixture. Install the MR16 bulb by securing the pins into the designated slots on the bulb. Once the bulb is in place, reattach the top cover and tighten it.



YOUTUBE VIDEO
INSTALLATION GUIDE



WEBSITE



CATALOG



(800) 360-2960



ABBALightingUSA@gmail.com



7701 Alabama Ave, Canoga Park, CA 91304

INSTALLATION GUIDE FOR UNS05

2. Wiring Connections

- Turn off the power at the main electrical panel.
- Connect the fixture's low-voltage wires to the main power supply using the provided connectors. Use WN12 (Sold Separately) to Waterproof your connection.
- Secure all wire connections and test for continuity before final installation.
- Use waterproof electrical tape or silicone sealant to protect connections from moisture.

3. Fixture Installation

For In-Ground Installation:

- Place the fixture into the prepared hole.
- Insert the fixture into the sleeve, ensuring it is level and secure
- Use gravel and soil for additional stability.

For Concrete/Hard Surface Installation:

- Secure the fixture using mounting brackets or embedded housing.
- Ensure the fixture is flush with the surface for a clean, professional look.



YOUTUBE VIDEO
INSTALLATION GUIDE



WEBSITE



CATALOG



(800) 360-2960



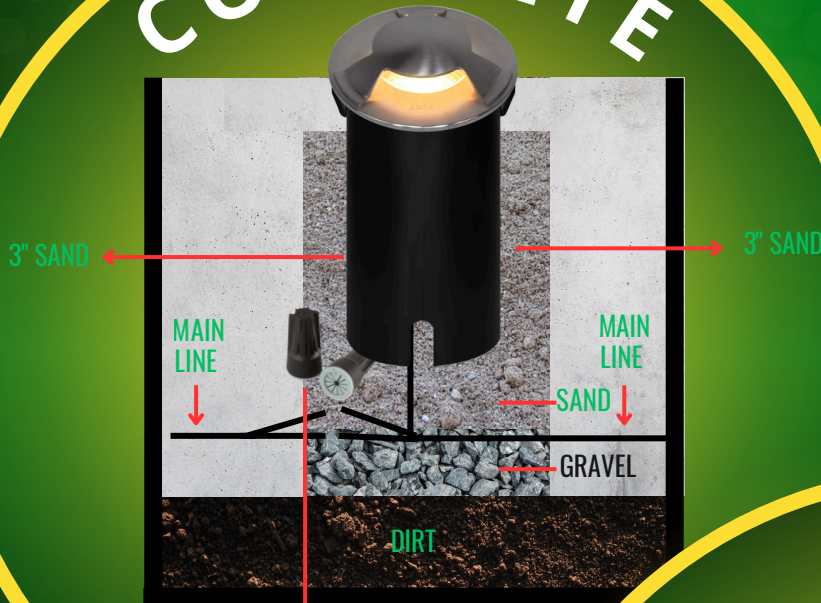
ABBALightingUSA@gmail.com



7701 Alabama Ave, Canoga Park, CA 91304

INSTALLATION GUIDE FOR UNS05

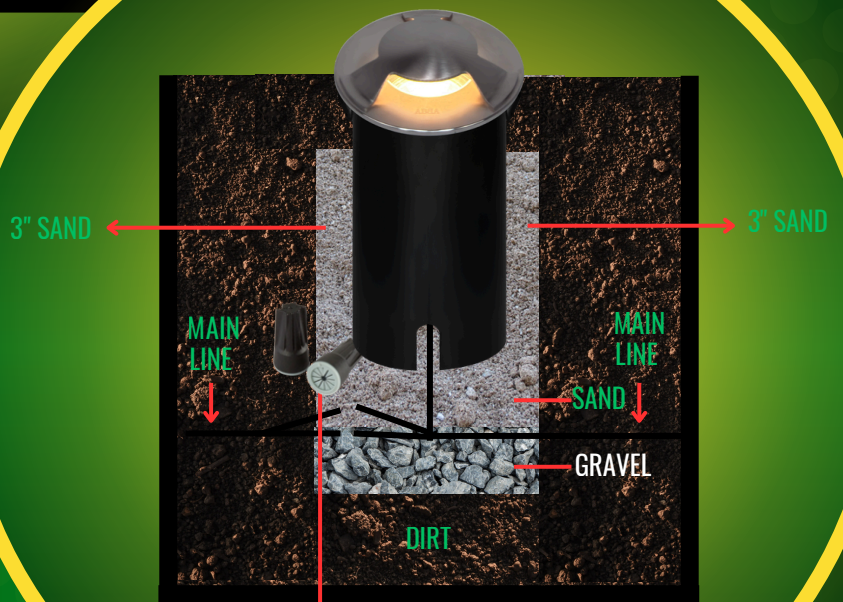
CONCRETE



WN12 WATERPROOF
WIRE NUTS
(SOLD SEPARATELY)

Leave a 3-inch clearance around the fixture and place gravel at the bottom to ensure proper drainage. This prevents water from accumulating around the fixture's body and helps avoid water ingress, even though the fixture is IP65 rated.

SOIL



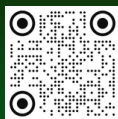
WN12 WATERPROOF
WIRE NUTS
(SOLD SEPARATELY)



YOUTUBE VIDEO
INSTALLATION GUIDE



WEBSITE



CATALOG



(800) 360-2960



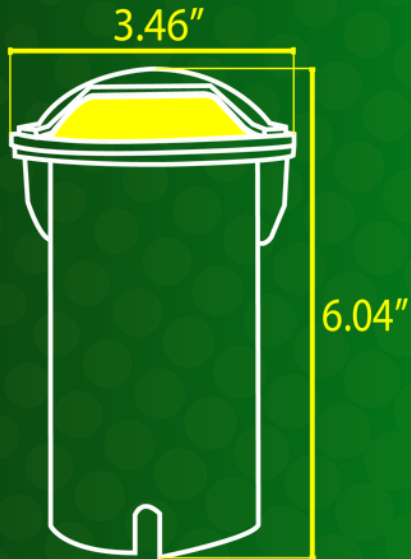
ABBALightingUSA@gmail.com



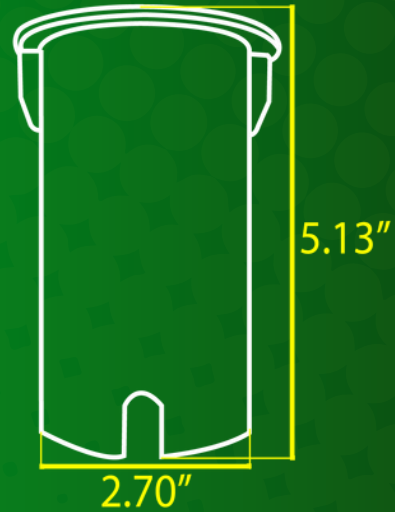
7701 Alabama Ave, Canoga Park, CA 91304

INSTALLATION GUIDE FOR UNS05

FIXTURE WITH CASE



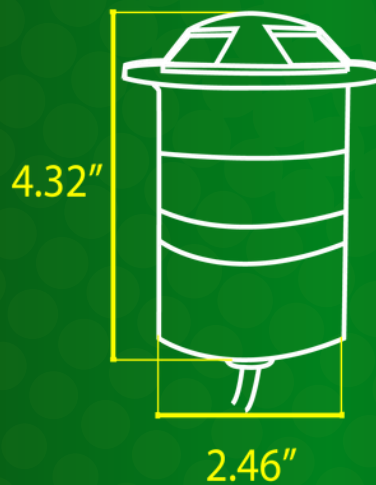
CASE
SIDE ANGLE



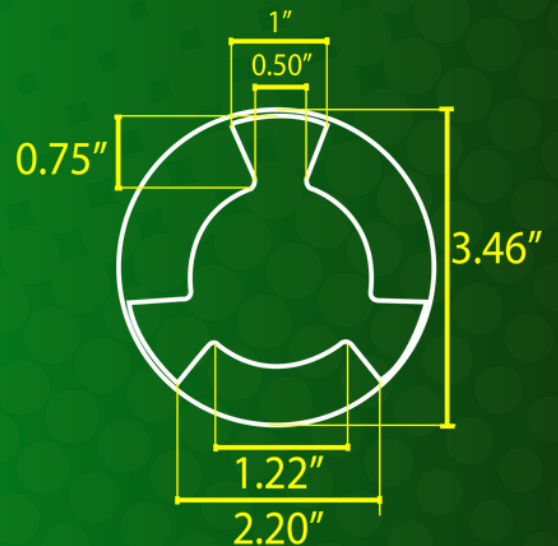
FIXTURE FRONT ANGLE



FIXTURE SIDE ANGLE



FIXTURE TOP ANGLE



YOUTUBE VIDEO
INSTALLATION GUIDE



WEBSITE



CATALOG



(800) 360-2960



ABBALightingUSA@gmail.com



7701 Alabama Ave, Canoga Park, CA 91304

INSTALLATION GUIDE FOR UNS05

MAINTENANCE TIPS

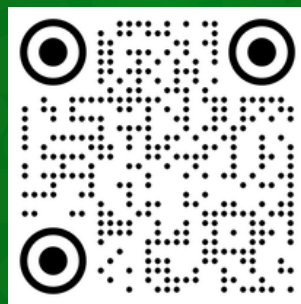
- **Regular Inspection:** Periodically check the bracket and fixture to ensure they are still securely mounted and functioning correctly.

SAFETY PRECAUTIONS

- Always wear appropriate safety gear, such as gloves and safety glasses, during installation.
- Ensure the mounting surface is capable of supporting the weight of both the bracket and the lighting fixture.

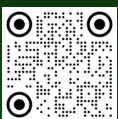
ADDITIONAL RESOURCES

For a detailed video tutorial on how to install, visit our YouTube channel and search for "UNS05"



Please visit our website for more of our products.

www.ABBALightingUSA.com



YOUTUBE VIDEO
INSTALLATION GUIDE



WEBSITE



CATALOG



(800) 360-2960



ABBALightingUSA@gmail.com



7701 Alabama Ave, Canoga Park, CA 91304

UNSO5

WELL LIGHT

