

UNB11

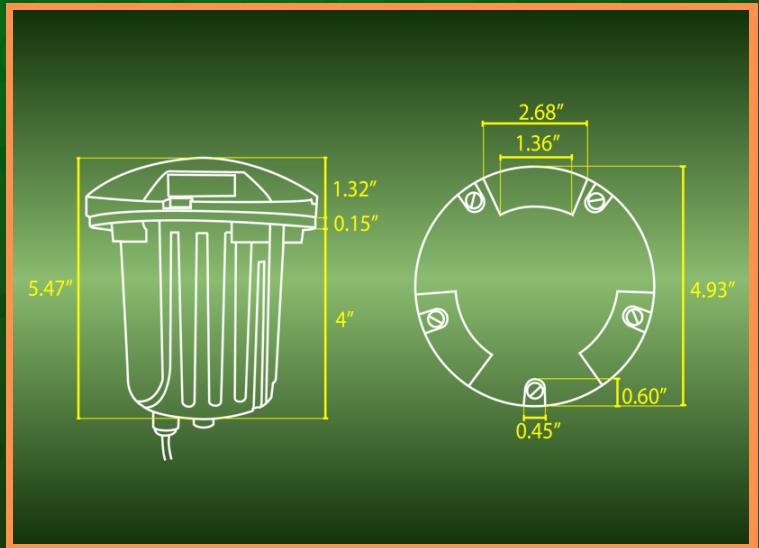
WELL LIGHT



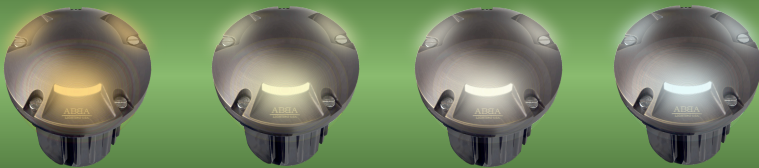
HEAVY DUTY
CAST BRASS



SPEC SHEET



MR16 SOLD SEPARATELY



2700K 3000K 4000K 5000K

FINISH:



DESIGNED FOR ELEGANCE, BUILT FOR PERFORMANCE—THE UNB11 BRASS TRI-DIRECTIONAL WELL LIGHT FROM ABBA LIGHTING USA IS A PREMIUM-GRADE IN-GROUND LIGHTING FIXTURE ENGINEERED TO DELIVER SOPHISTICATED, MULTI-DIRECTIONAL ILLUMINATION ACROSS ANY OUTDOOR LANDSCAPE. WHETHER ENHANCING THE AESTHETIC APPEAL OF A WALKWAY OR ADDING DIMENSION TO ARCHITECTURAL SPACES, THE UNB11'S DISTINCTIVE THREE-WAY DIRECTIONAL COVER MAKES IT THE ULTIMATE SOLUTION FOR PRECISE AND DECORATIVE LIGHTING CONTROL.

THIS FIXTURE FEATURES A SOLID HEAVY-DUTY CAST BRASS BODY WITH A NATURAL BRASS FINISH, ENSURING DURABILITY AND CORROSION RESISTANCE EVEN IN HARSH ENVIRONMENTS. THE TRI-DIRECTIONAL BRASS TOP IS PRECISION-CUT TO EMIT THREE DISTINCT BEAMS OF LIGHT, MAKING IT IDEAL FOR PATHWAYS, DRIVEWAYS, PATIOS, OR GARDEN BORDERS. IT'S A PREFERRED CHOICE FOR LIGHTING DESIGNERS AND CONTRACTORS SEEKING A HARMONIOUS BLEND OF CRAFTSMANSHIP, FUNCTION, AND LONGEVITY.

FEATURE

ADJUSTABLE
INNER
BRACKET

INCLUDED:

18/2 DIRECT
BURY
LANDSCAPE
LIGHTING
WIRE

WATERPROOF RATING:



YOUTUBE VIDEO
INSTALLATION GUIDE



WEBSITE



CATALOG

ABBA

LIGHTING USA

12V Landscape Light Specialist



(800) 360-2960



ABBALightingUSA@gmail.com



7701 Alabama Ave, Canoga Park, CA 91304