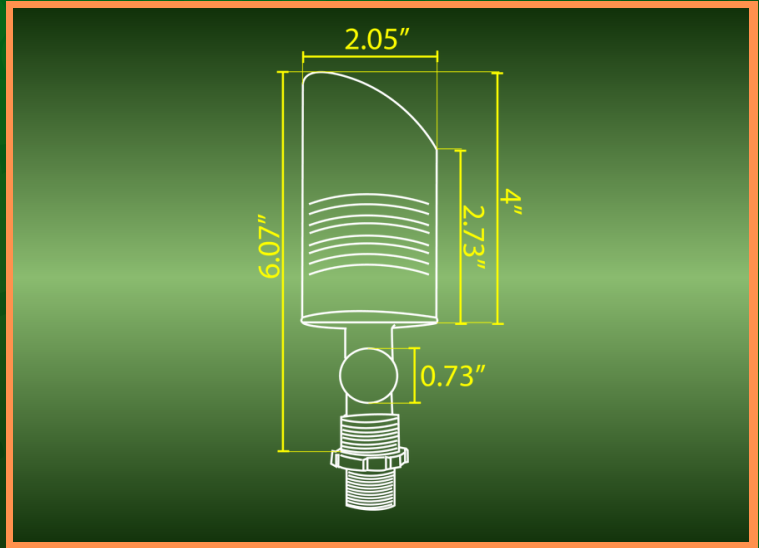


SPB09

SPOT LIGHT



SPEC SHEET



FINISH:



2700K 3000K 4000K 5000K RGBCW

WHEN IT COMES TO OUTDOOR LIGHTING THAT BALANCES TIMELESS ELEGANCE, PRECISION ILLUMINATION, AND UNMATCHED DURABILITY, THE SPB09 BRASS SPOT LIGHT STANDS IN A CLASS OF ITS OWN. PURPOSE-BUILT FOR PROFESSIONAL-GRADE LANDSCAPE AND ARCHITECTURAL APPLICATIONS, THIS FIXTURE TRANSFORMS THE WAY OUTDOOR SPACES ARE EXPERIENCED—ADDING DEPTH, DRAMA, AND CHARACTER THROUGH TARGETED BEAMS OF LIGHT.

WHETHER YOU ARE HIGHLIGHTING THE MAJESTIC SHAPE OF A MATURE TREE, ACCENTUATING THE TEXTURES OF A STONE FAÇADE, OR BRINGING OUT THE BEAUTY OF GARDEN SCULPTURES, THE SPB09 DELIVERS WITH PINPOINT ACCURACY, SUPERIOR CONSTRUCTION, AND LONG-LASTING RELIABILITY

INCLUDED



INCLUDED

18/2
DIRECT BURY
LANDSCAPE
LIGHTING
WIRE LEAD

WATERPROOF RATING:



YOUTUBE VIDEO
INSTALLATION GUIDE



WEBSITE



CATALOG

ABBA

LIGHTING USA

12V Landscape Light Specialist



(800) 360-2960



ABBALightingUSA@gmail.com



7701 Alabama Ave, Canoga Park, CA 91304