

UNB01

WELL LIGHT

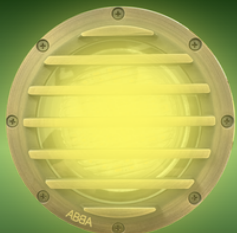
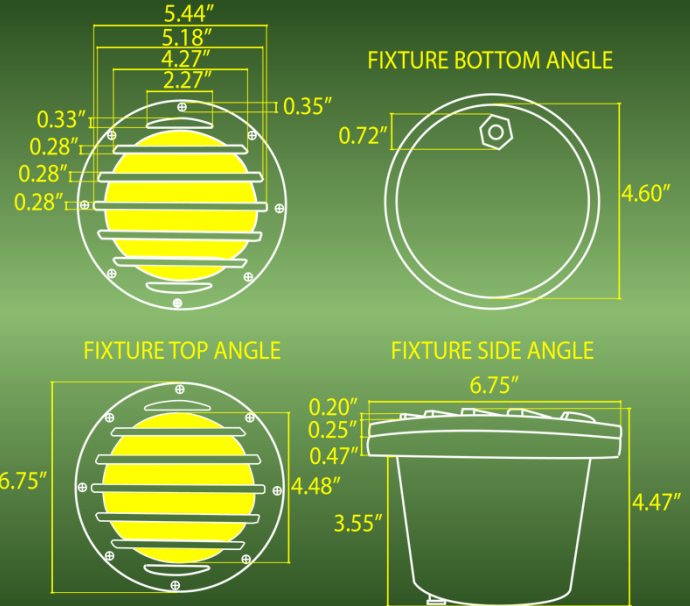
SPEC SHEET



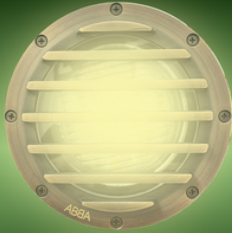
NATURAL BRASS



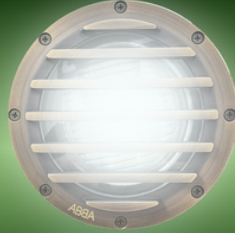
HEAVY DUTY CAST BRASS



3000K



4000K



5000K

FEATURE

**FIXED
INNER
BRACKET**

INCLUDED:

**18/2
DIRECT BURY
LANDSCAPE
WIRE**

WATERPROOF RATING:



THE UNB01 BRASS WELL LIGHT WITH GRILL FROM ABBA LIGHTING USA IS THE ULTIMATE CHOICE FOR PROFESSIONAL-GRADE IN-GROUND LIGHTING THAT BLENDS RUGGED DURABILITY WITH ARCHITECTURAL SOPHISTICATION. CONSTRUCTED FROM SOLID CAST BRASS AND DESIGNED TO BE INSTALLED FLUSH WITH THE GROUND, THIS FIXTURE DELIVERS POWERFUL, GLARE-SHIELDED ILLUMINATION THAT ENHANCES THE BEAUTY AND SAFETY OF YOUR LANDSCAPE WITHOUT DISRUPTING THE DESIGN AESTHETIC.

WHETHER INSTALLED IN RESIDENTIAL GARDENS, COMMERCIAL PATHWAYS, DRIVEWAYS, HARDSCAPE BORDERS, OR TREE UPLIGHTING APPLICATIONS, THE UNB01 DELIVERS TARGETED AND AMBIENT LIGHTING WITH A CLASSIC BRASS FINISH THAT GRACEFULLY AGES TO A RICH PATINA, ADDING TIMELESS APPEAL TO ANY SPACE.



YOUTUBE VIDEO
INSTALLATION GUIDE



WEBSITE



CATALOG

ABBA
LIGHTING USA
12V Landscape Light Specialist



(800) 360-2960



ABBALightingUSA@gmail.com



7701 Alabama Ave, Canoga Park, CA 91304