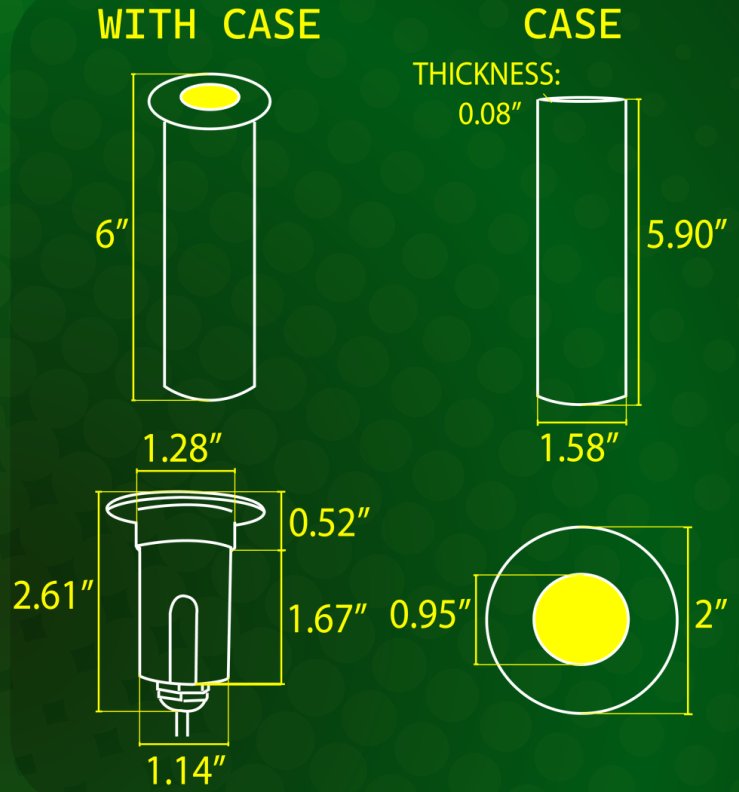


# DM52

## WELL LIGHT



### SPEC SHEET



**130**  
LUMENS

**30,000**  
HOURS

**NON**  
DIMMABLE

AVAILABLE FINISH:



SILVER

BLACK

WHITE



THE DM52 WELL LIGHT IS CRAFTED FROM HIGH-GRADE STAINLESS STEEL, ENSURING OUTSTANDING DURABILITY AND RESISTANCE TO RUST, CORROSION, AND ENVIRONMENTAL WEAR. THIS MAKES IT AN EXCELLENT CHOICE FOR GARDENS, DRIVEWAYS, AND COMMERCIAL OUTDOOR APPLICATIONS, WHERE EXPOSURE TO MOISTURE, DIRT, AND CHANGING WEATHER CONDITIONS IS COMMON. THE STAINLESS STEEL FINISH NOT ONLY ENHANCES LONGEVITY BUT ALSO ADDS A MODERN AND SLEEK AESTHETIC TO ANY OUTDOOR SETTING.

UPGRADE YOUR OUTDOOR LIGHTING EXPERIENCE WITH THE DM52 STAINLESS STEEL WELL LIGHT - WHERE DURABILITY MEETS PERFORMANCE IN A SLEEK, PROFESSIONAL-GRADE FIXTURE. DESIGNED FOR ELEGANCE, SAFETY, AND EFFICIENCY, THIS WELL LIGHT TRANSFORMS ANY SPACE INTO A BEAUTIFULLY ILLUMINATED OUTDOOR SANCTUARY.



YOUTUBE VIDEO  
INSTALLATION GUIDE



WEBSITE



CATALOG

**ABBA**  
LIGHTING USA

12V Landscape Light Specialist



(800) 360-2960



ABBALightingUSA@gmail.com



7701 Alabama Ave, Canoga Park, CA 91304