

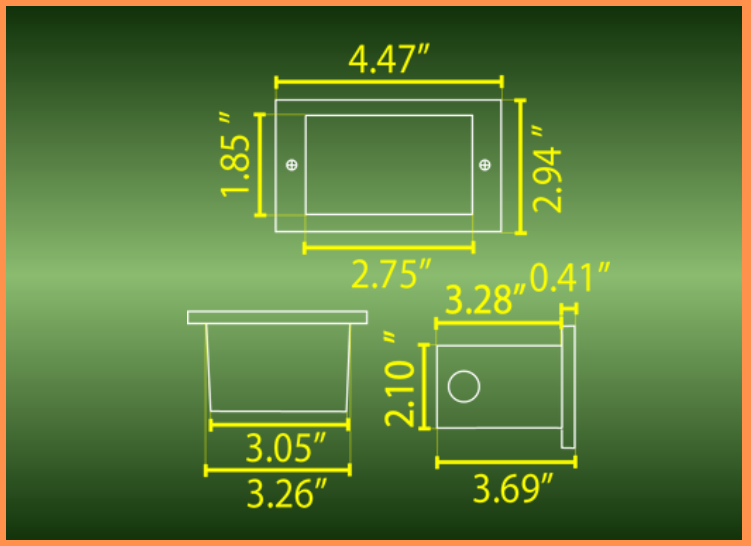
STB15

STEP LIGHT

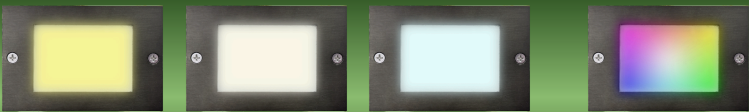
SPEC SHEET



**HEAVY DUTY
CAST BRASS**



FINISH:



3000K 4000K 5000K RGBCW

THE STB15 BRASS STEP LIGHT FROM ABBA LIGHTING USA IS A FINELY CRAFTED OUTDOOR LIGHTING FIXTURE DESIGNED TO PROVIDE DISCREET YET EFFECTIVE ACCENT LIGHTING FOR STEPS, DECK BORDERS, WALKWAYS, AND OTHER LOW-LEVEL EXTERIOR SURFACES. FEATURING A SOLID BRASS CONSTRUCTION, THIS STEP LIGHT BLENDS TRADITIONAL MATERIAL CHARACTER WITH RELIABLE PERFORMANCE, MAKING IT A DISTINGUISHED CHOICE FOR BOTH RESIDENTIAL AND COMMERCIAL LANDSCAPE APPLICATIONS.

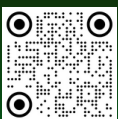
WHETHER USED TO ILLUMINATE STAIR RISERS, DEFINE TRANSITIONS BETWEEN OUTDOOR SPACES, OR ACCENT PATIO PERIMETERS, THE STB15 COMBINES TIMELESS MATERIAL APPEAL WITH PURPOSEFUL LIGHTING PERFORMANCE.

CERTIFICATE:

MATERIAL:

**HEAVY DUTY
CAST
BRASS**

WATERPROOF RATING:



YOUTUBE VIDEO
INSTALLATION GUIDE



WEBSITE



CATALOG



12V Landscape Light Specialist



(800) 360-2960



ABBALightingUSA@gmail.com



7701 Alabama Ave, Canoga Park, CA 91304