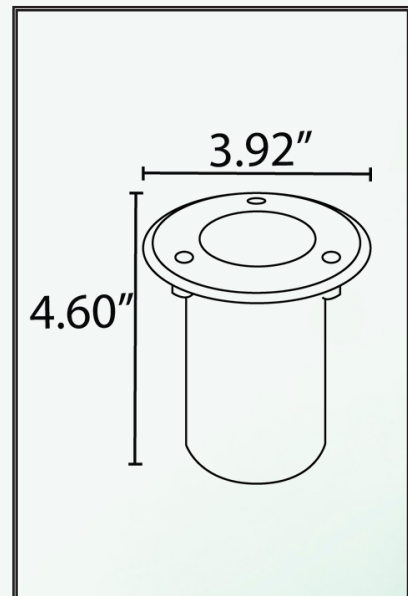


ABBA

LIGHTING USA

12V Landscape Light Specialist



- **POWER:**
MR16
(SOLD SEPARATELY)
- **BODY:**
HEAVY DUTY CAST BRASS
- **FEATURE:**
ADJUSTABLE INNER BRACKET
- **FINISH:**
NATURAL BRASS
- **CERTIFICATE:**
ETL LISTED
- **WATERPROOF RATING:**
IP65

UNB12

SPEC SHEET

www.ABBALightingUSA.com