

ABBA

LIGHTING USA

12V Landscape Light Specialist



DL02

INSTALLATION GUIDE

www.ABBALightingUSA.com

RATED VOLTAGE 12V AC/DC

Congratulations on your purchase of this high-quality product! We want to ensure that you have the best possible experience with it, so we kindly ask that you take a moment to carefully read and follow all instructions before assembly, installation, and use. By doing so, you'll not only guarantee correct function and safety, but also optimize the full potential of this exceptional product. Thank you for choosing us as your trusted provider of top-notch products - we truly appreciate your business!

IMPORTANT SAFETY INSTRUCTIONS

LIGHTEN LAMP IS **HOT!**

WARNING: TO REDUCE THE RISK OF FIRE OR INJURY TO PERSONS:

- ✔ Please exercise caution when using the lamp, as it tends to **HEAT** up rapidly. We recommend taking necessary safety measures to ensure optimal usage.
- ✔ For your safety, please refrain from touching the **HOT** lens, guard, or enclosure. We recommend waiting for the product to cool down before handling it.
- ✔ To prevent any fire hazards, please ensure that the lamp is kept away from materials that may easily catch fire. We appreciate your cooperation in maintaining a safe and secure environment.
- ✔ For safety reasons, we recommend that only a qualified professional install this electrical product.
- ✔ Before attempting to install this unit, ensure all power connections are off for your own safety.

WARRANTY

- We stand behind the quality of our product and offer a 2-year warranty from the date of purchase. Please note that the warranty is valid from the date of purchase, not from the date of installation. Kindly ensure that you keep the proof of purchase as it will be required for any warranty claims.
- Warranty will be void if there is any damage due to improper usage or modification to the fixture.
- Failure to comply with the instruction in this manual may increase the risk of damage or injury and will void warranty.

CAUTION:

fixture(s) must be installed in accordance with all local codes and ordinances.
Do not instal within 10 feet of a pool, spa or fountain

INSTALLATION INSTRUCTION

To ensure optimal performance and safety, it is important to use our fixtures ONLY with a low voltage landscape transformer. This transformer reduces the voltage from 120V to 12V, making it safe and suitable for outdoor use.

When installing the fixture(s), please follow these instructions carefully:

1. Please ensure the light cable wires input are 12v ac/dc.

2. To establish a dependable and enduring electrical connection between fixture wires and the main line in outdoor or underground installations, it is essential to select a suitable main cable connector designed for direct burial. This connector should be chosen based on its ability to withstand environmental conditions, resist moisture and corrosion, and provide robust insulation. By adhering to industry standards and best practices, including proper wire stripping and secure fastening techniques, a reliable connection can be established, ensuring optimal performance, safety, and longevity of the system.

We recommend using WN12 waterproof wire nuts (sold separately) for optimal connectivity.

3. Strip the insulation: Carefully strip approximately 3/4 inch (1.9 cm) of insulation from the ends of the two wires you wish to connect. Ensure that the bare metal ends are clean and free from any frayed strands.

4. Align the wires: Hold the stripped ends of the two wires together, aligning them neatly and ensuring that no stray strands are crossing over.

5. Insert the aligned ends of the wires into the wire nut, ensuring that they go all the way in. The bare ends should be completely covered by the wire nut. Twist the wire nut: Firmly twist the wire nut clockwise onto the wires, ensuring a secure connection. Continue twisting until the wire nut is tight and snug. Test the connection: Gently tug on each wire to ensure they are securely held by the wire nut.

The connection should be firm and not come loose. Inspect the connection: Examine the wire nut connection to ensure there are no exposed wires or loose strands. If any issues are detected, remove the wire nut and repeat the process from step 3.

Note: It's always recommended to follow local electrical codes and regulations when performing any electrical work. If you're uncertain or uncomfortable with electrical tasks, it's advisable to consult a qualified electrician. Safety should always be a top priority when working with electrical connections.

6. Remove the lens from the fixture.

7. Insert the bulb with the correct wattage.

8. Place the lens back onto the fixture.

9. For a secure and stable mounting, dig a small hole and insert the spike into the ground, ensuring it is vertical and firm.

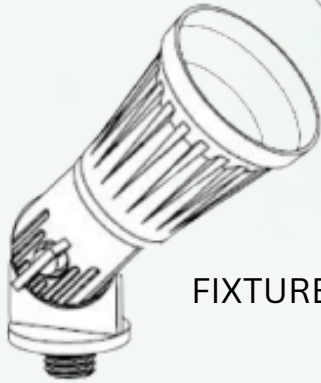
10. Adjust the light angle.

11. Turn on the power.

We strongly recommend that the main cable from the transformer be buried underground for safety reasons. Additionally, please be sure to avoid exceeding the maximum wattage on the fixture(s) to prevent any damage or hazards.

6.

LENS



FIXTURE

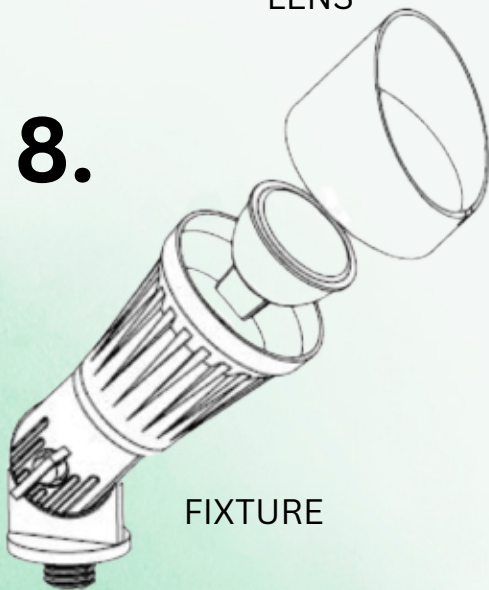
7.



BULB

8.

LENS



FIXTURE



Connect the wires using
WN12 (Sold separately)

Main Line

