

ABBA

LIGHTING USA

12V Landscape Light Specialist



3 CCT
3000K,
4000K
&
5000K

FPBCC04

INSTALLATION GUIDE

www.ABBALightingUSA.com

RATED VOLTAGE 12V AC/DC

Congratulations on your purchase of this high-quality product! We want to ensure that you have the best possible experience with it, so we kindly ask that you take a moment to carefully read and follow all instructions before assembly, installation, and use. By doing so, you'll not only guarantee correct function and safety, but also optimize the full potential of this exceptional product. Thank you for choosing us as your trusted provider of top-notch products - we truly appreciate your business!

IMPORTANT SAFETY INSTRUCTIONS

LIGHTEN LAMP IS **HOT!**

WARNING: TO REDUCE THE RISK OF FIRE OR INJURY TO PERSONS:

- ✔ Please exercise caution when using the lamp, as it tends to **HEAT** up rapidly. We recommend taking necessary safety measures to ensure optimal usage.
- ✔ For your safety, please refrain from touching the **HOT** lens, guard, or enclosure. We recommend waiting for the product to cool down before handling it.
- ✔ To prevent any fire hazards, please ensure that the lamp is kept away from materials that may easily catch fire. We appreciate your cooperation in maintaining a safe and secure environment.
- ✔ For safety reasons, we recommend that only a qualified professional install this electrical product.
- ✔ Before attempting to install this unit, ensure all power connections are off for your own safety.

WARRANTY

- We stand behind the quality of our product and offer a 5-year warranty from the date of purchase. Please note that the warranty is valid from the date of purchase, not from the date of installation. Kindly ensure that you keep the proof of purchase as it will be required for any warranty claims.
- Warranty will be void if there is any damage due to improper usage or modification to the fixture.
- Failure to comply with the instruction in this manual may increase the risk of damage or injury and will void warranty.

CAUTION:

Fixture(s) must be installed in accordance with all local codes and ordinances.
Do not instal within 10 feet of a pool, spa or fountain

INSTALLATION INSTRUCTION

To ensure optimal performance and safety, it is important to use our fixtures ONLY with a low voltage landscape transformer. This transformer reduces the voltage from 120V to 12V, making it safe and suitable for outdoor use.

When installing the fixture(s), please follow these instructions carefully:

1. Before installation, please ensure that the power is turned off for your safety.

2. To connect the wires of the fixture(s) to the main cable, use a suitable main cable connector designed for direct burial applications.

Begin by stripping about half an inch of insulation from the end of each wire.

Ensure that the wires are properly seated and make a secure connection.

For optimal connectivity and to ensure protection against water damage, we recommend using **WN12** waterproof wire nuts. These can be purchased separately and are specifically designed to provide a reliable and watertight connection. Simply thread the wires through the wire nut and twist it until it is securely in place.

After making the connections, test the fixture(s) to ensure they are functioning correctly before completing the installation.

It is important to follow all applicable electrical codes and regulations when performing these connections, and it may be beneficial to consult a professional electrician for assistance if needed.

3. To ensure a secure and stable mounting for the fixture, follow these steps:

Prepare the location where you want to install the fixture by clearing any debris or obstructions.

Using a suitable tool, dig a small hole in the ground at the desired location. The hole should be deep enough to accommodate the spike of the fixture.

Insert the spike of the fixture into the hole, making sure it is positioned vertically and firmly in the ground. Apply downward pressure to ensure a secure fit.

If necessary, gently wiggle the spike back and forth to help it settle deeper into the ground and increase stability.

Once the spike is securely inserted, visually check that the fixture is level and aligned correctly.

CAUTION:

Fixture(s) must be installed in accordance with all local codes and ordinances.
Do not instal within 10 feet of a pool, spa or fountain

4.To customize your lighting experience with this fixture, you can adjust both the wattage and CCT. To adjust the **wattage**, use the flat screwdriver provided with the product. Adjust the switch clockwise until you achieve the desired level of brightness. You can choose between 2W, 3W, 4W, 5W, 6W & 7W.

To change the CCT of the fixture, locate the arrow sign on the fixture and switch it back and forth from positions 2 to 7 three times. Each time you complete the sequence, the CCT will change to a different setting. Continue switching the arrow sign until you reach the desired CCT.

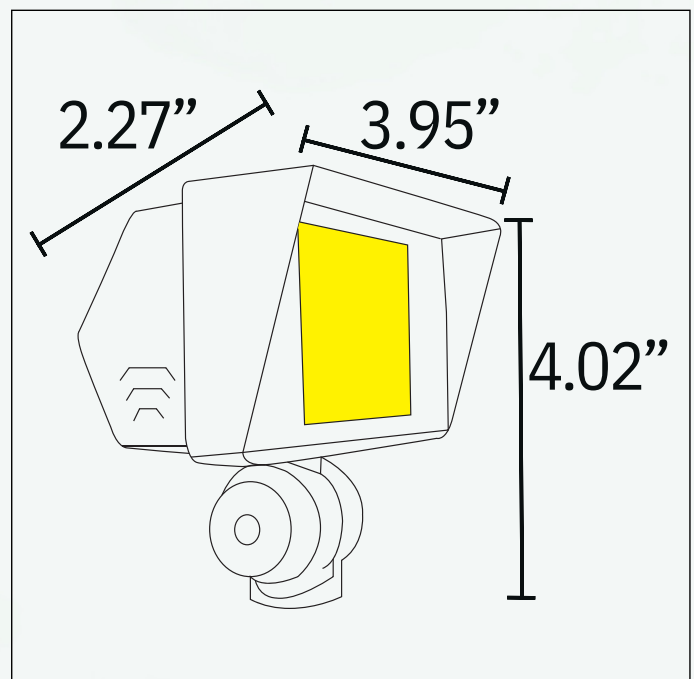
Remember to test the fixture after making any adjustments to ensure it is functioning correctly and that the lighting is set to your preferences.

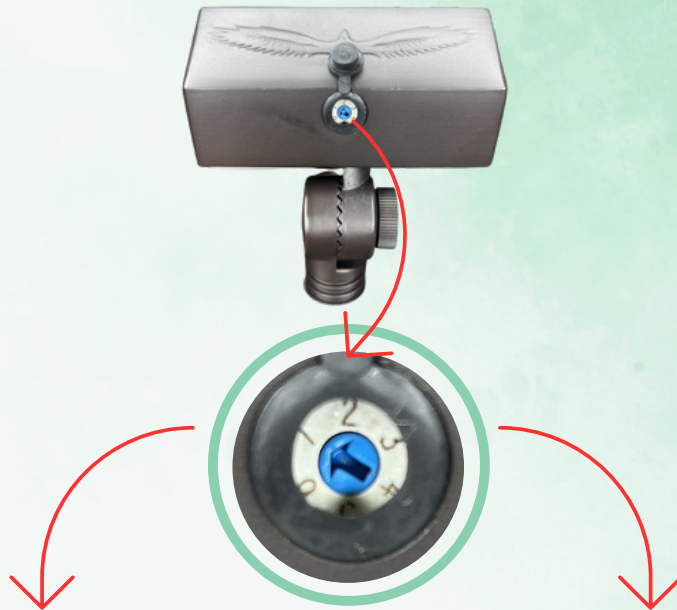
5.Once the fixture(s) are securely installed, turn on the power and enjoy the enhanced lighting experience!

For safety reasons, it is strongly recommended that the main cable from the transformer be buried underground. This helps to protect the cable from potential damage and minimizes any potential hazards. When burying the cable, ensure it is placed at an appropriate depth and follow any local regulations or guidelines regarding underground cable installation. Furthermore, it is crucial to avoid exceeding the maximum wattage specified for the fixture(s).

Exceeding the maximum wattage can lead to various issues, including damage to the fixture(s), compromised performance, and potential safety hazards. Always check the maximum wattage rating provided by the manufacturer and ensure that the total wattage of the connected fixtures does not surpass this limit.

By adhering to these recommendations, you can help ensure the safety and longevity of the installation while minimizing the risk of electrical hazards or damage to the fixtures. If you have any doubts or concerns, it is advisable to consult a professional electrician for guidance and assistance.





To adjust the wattage, use the flat screwdriver provided with the product. Adjust the switch clockwise until you achieve the desired level of brightness. You can choose between 2W, 3W, 4W, 5W, 6W & 7W.

To change the CCT of the fixture, locate the arrow sign on the fixture and switch it back and forth from positions 2 to 7 three times. Each time you complete the sequence, the CCT will change to a different setting. Continue switching the arrow sign until you reach the desired CCT.

