

ABBA

LIGHTING USA

12V Landscape Light Specialist



SPB06

INSTALLATION GUIDE

www.ABBALightingUSA.com

RATED VOLTAGE 12 AC/DC

Thank you for purchasing this quality product. To ensure correct function and safety, Please read and follow all instructions carefully before assembly, installation and before using this product.

IMPORTANT SAFETY INSTRUCTIONS

LIGHTEN LAMP IS **HOT!**

WARNING: TO REDUCE THE RISK OF FIRE OR INJURY TO PERSONS:

- ✓ Lamp gets **HOT** quickly!
- ✓ Do not touch **HOT** lens, guard or enclosure.
- ✓ Keep lamp away from materials that may burn.
- ✓ Do not touch the lamp any time. Use soft cloth.
- ✓ It is recommended only qualified persons to install this electrical product.
- ✓ Before attempting to install this unit, ensure all power connections are off for your own safety.

WARRANTY

- This fixture is covered by a LIFETIME warranty. Please keep the proof of purchase
- Warranty will be void if there is any damage due to improper usage or modification to the fixture.
- Failure to comply with the instruction in this manual may increase the risk of damage or injury and will void warranty.

CAUTION:

fixture(s) must be installed in accordance with all local codes and ordinances.
 Do not instal within 10 feet of a pool, spa or fountain

INSTALLATION INSTRUCTION

fixtue(s) should be used **"ONLY"** with low voltage landscape power units that do not exceed 25A, 15V.

The main cable from power units should be buried for less than 6 inches under the ground level.

1. Please ensure the light cable wires input are 12v ac/dc.

2. Turn off power before installation.

3. Attach the fixture(s) wires to the main cable connector suitable for direct burial and use waterproof wire nuts. **WN12** (Sold separately).

4. Put the spike into the ground. Try to make firm vertical mounting.

5. Remove the lens from the fixture.

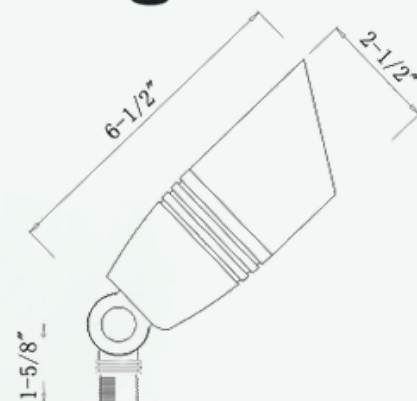
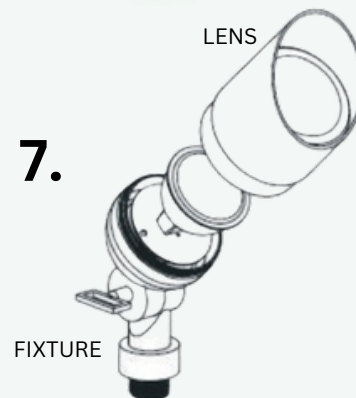
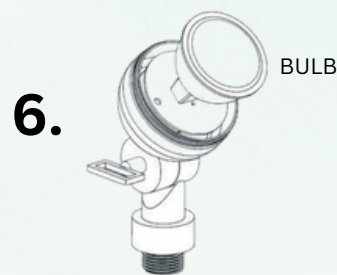
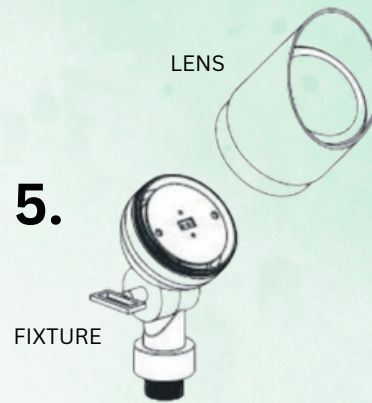
6. Insert the bulb with the correct wattage.

CAUTION: Do not exceed maximum wattage on the fixture.

7. Place the lens back onto the fixture.

8. Adjust the light angle.

9. Turn on the power.





Main Line

Connect the wires using
WN12 (Sold separately)