

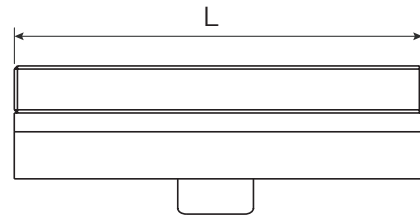
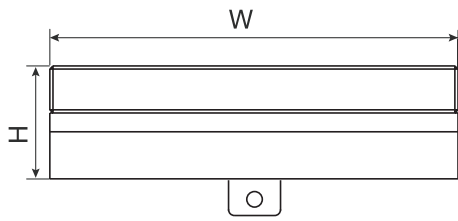
CRG 31

RGB

203 x 106 w/ 44.45 Metal Box

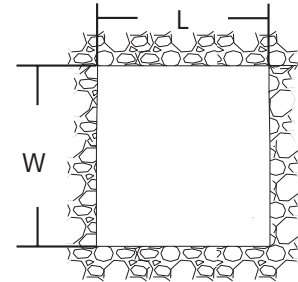
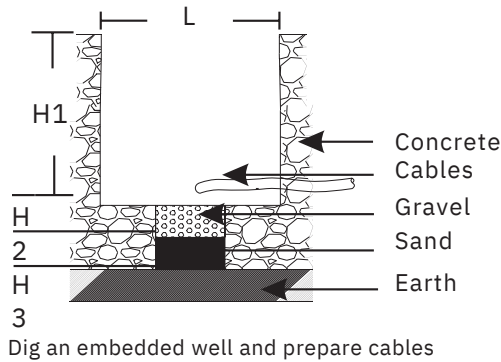


- Please read instruction carefully before assembling and installation
- Please keep instruction as reference in the future



Dimension (mm)			Weight (kg)	Rated Power (W)	Input current (A)	Rated voltage (V)	IP	Max. linkable Qty.
L	W	H						
203	106	44.25	±	1.3	0.11	DC12	67	40

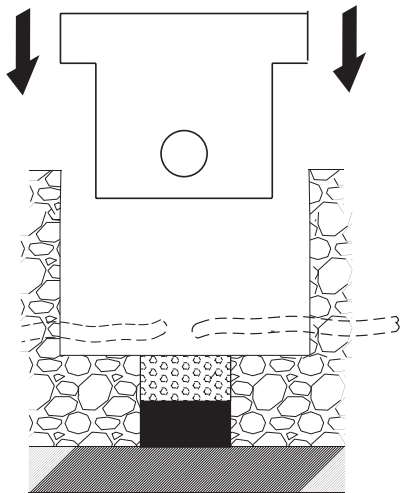
1



The below dimension is for reference only

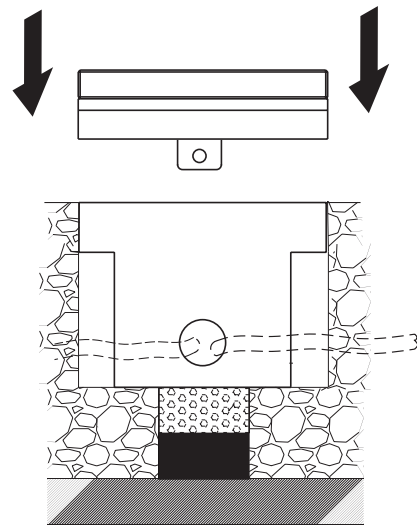
Embedded Well Dimension (mm)				
L	W	H1	H2	H3
115	115	108	50	50

2

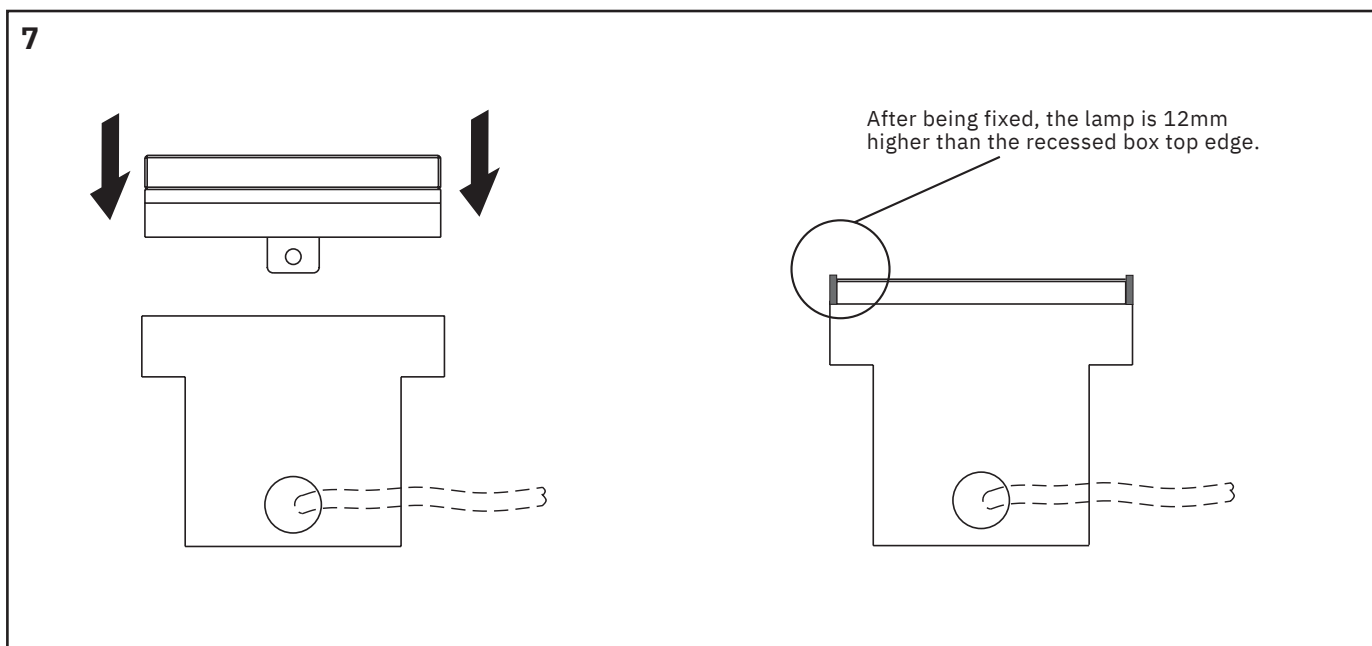
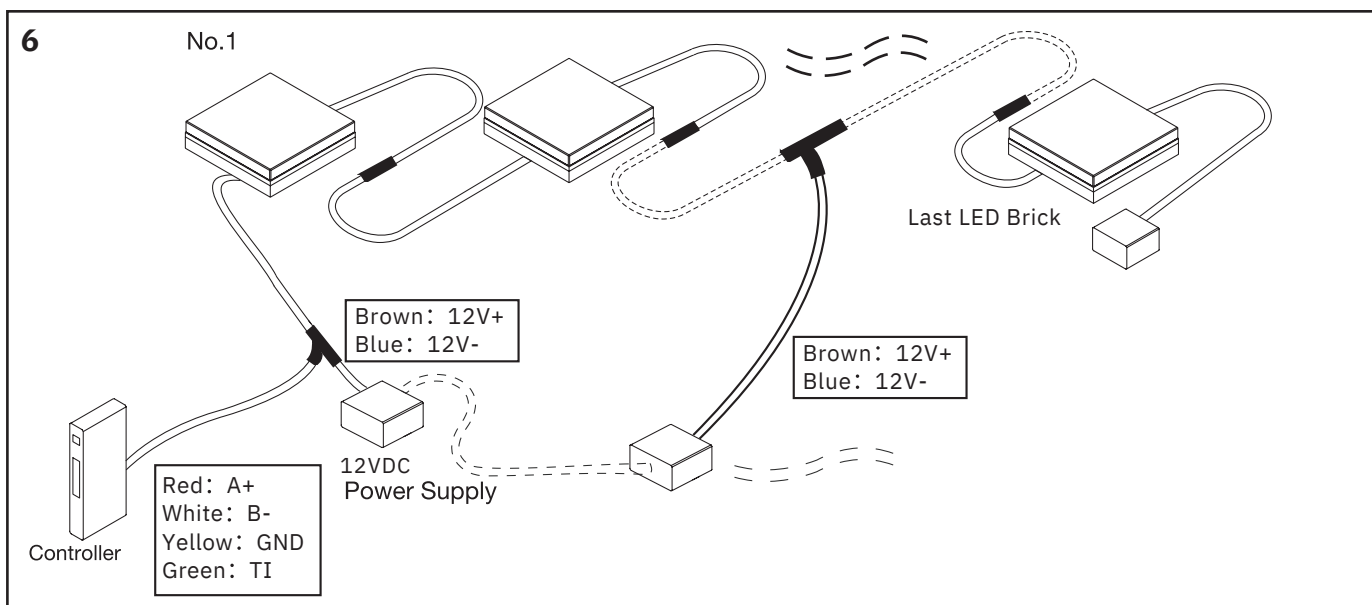
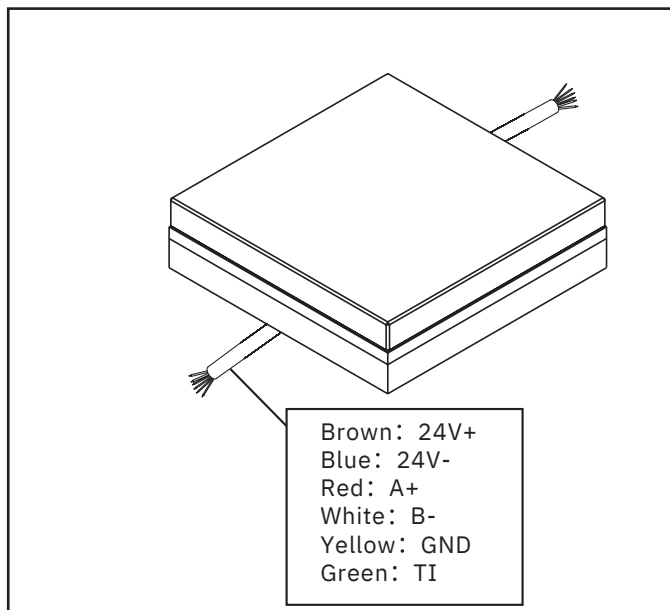
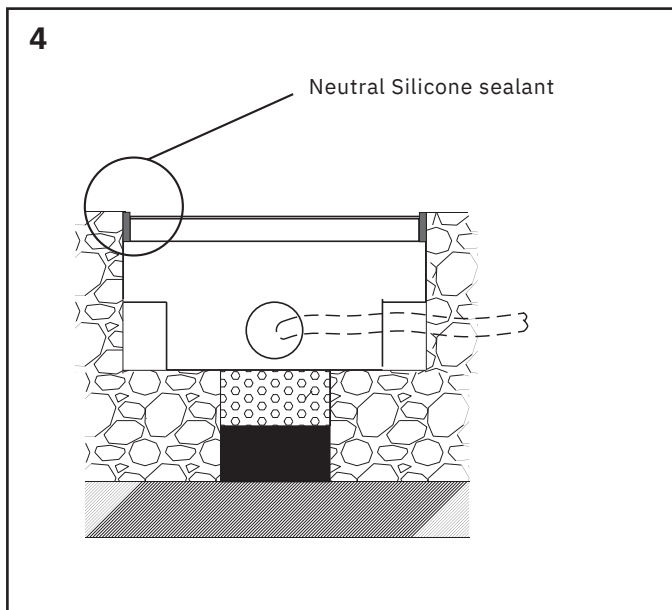


Put the recessed box in the embedded well

3



Put the LED brick in the recessed box



WARNING:

1. The luminaire should be installed and maintained by qualified electrician and wired in accordance with the latest IEE electrical regulations or the national regulations. Terminal block not included. Installation may require advice from a qualified person.
2. The power must be OFF during installation and maintenance.
3. The external flexible cable or cord of this luminaire cannot be replaced. If the cord is damaged, the luminaire shall be destroyed.
4. The light source of this luminaire can not be exchanged; if the user needs to exchange the light source (e.g. the light source is at the end of its life cycle), then the completed luminaire has to be exchanged.
5. Installation: Recessed mounted. Outdoor use.
6. Make sure the products are securely installed.
7. The housing might become hot during or after operation.
8. No modification on the product is allowed.
9. Immersed in water for long time is forbidden.
10. IP66 waterproof conjunction box need to purchase separately

INSTRUCTION

1. Order all power supplies / cables / connectors separately.
2. Regular check and cleaning are required.

IP67

