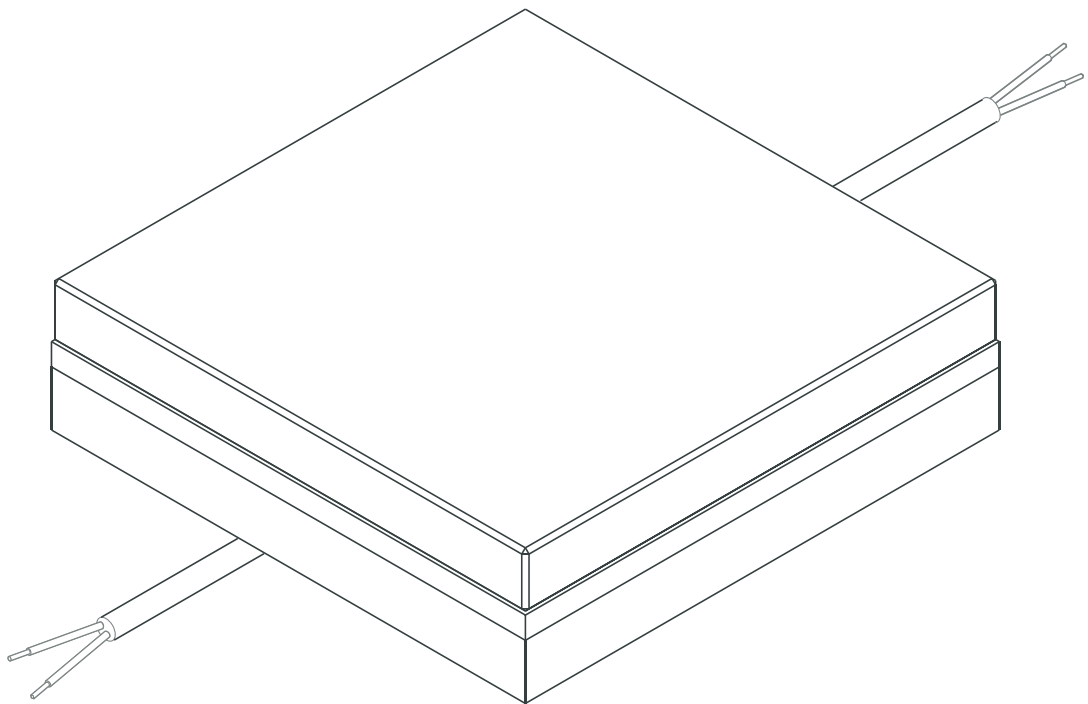
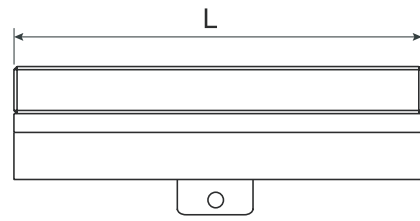
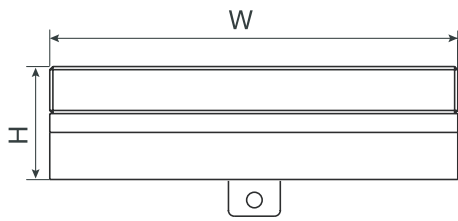


CRG 30
WARM WHITE
100 X 100 X 46mm

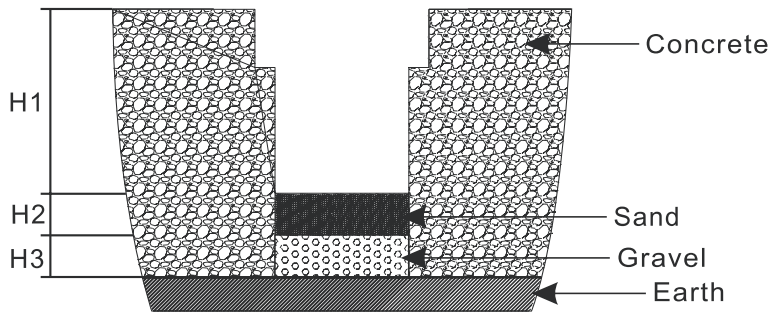


- Please read instruction carefully before assembling and installation
- Please keep instruction as reference in the future



Dimension (mm)			Weight (kg)	Rated Power (W)	Input current (A)	Rated voltage (V)	IP	Max. linkable Qty.
L	W	H						
100	100	46	0.7±0.2	1.3	0.11	DC24	67	35

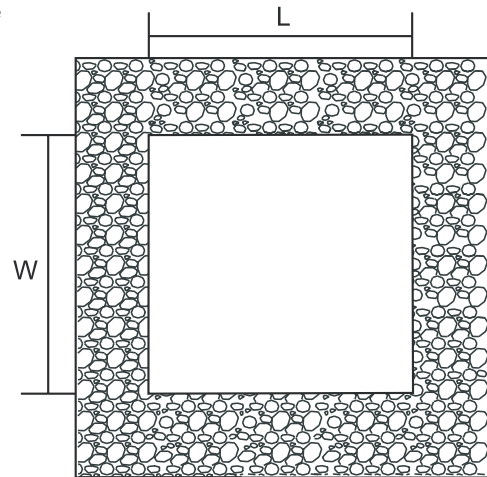
1



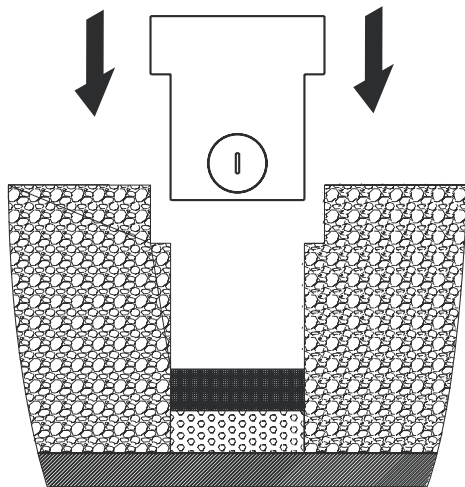
Dig an embedded well

The below dimension is for reference only

Embedded Well Dimension (mm)				
L	W	H1	H2	H3
115	115	122	50	50

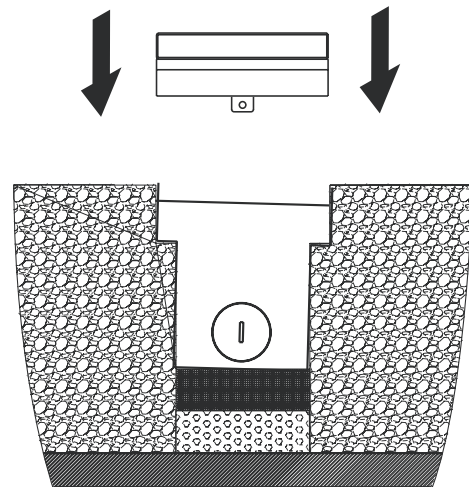


2

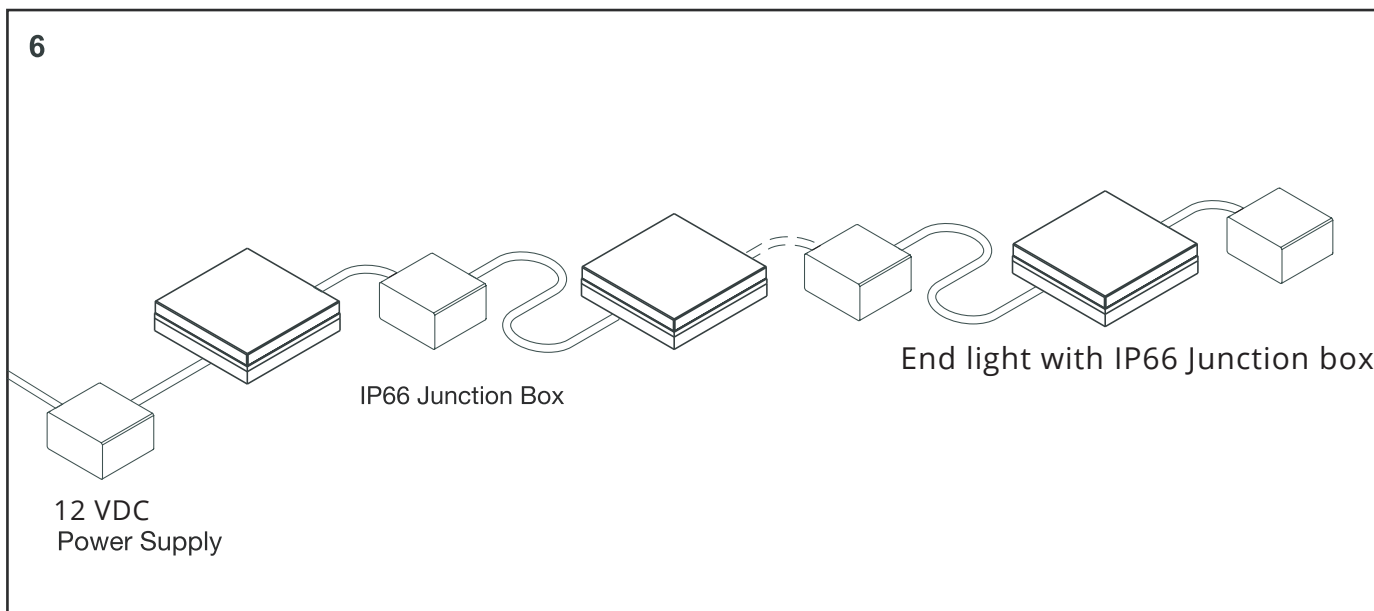
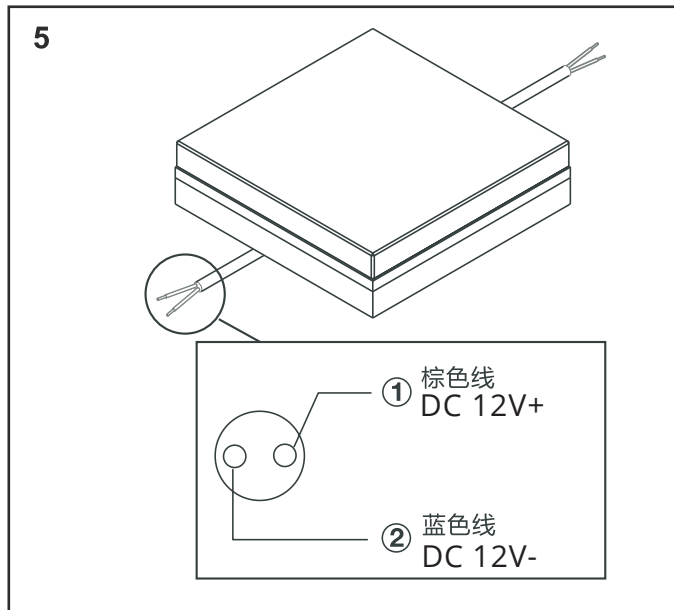
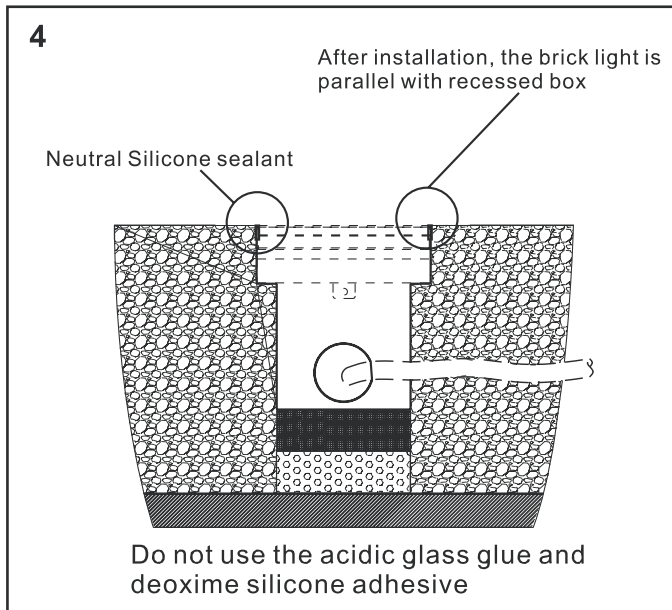


Put the recessed box in the embedded well

3



Put the LED brick in the recessed box



WARNING:

1. The luminaire should be installed and maintained by qualified electrician and wired in accordance with the latest IEE electrical regulations or the national regulations. Terminal block not included. Installation may require advice from a qualified person.
2. The luminaire should be driven by certified independent SELV LED driver complying with IEC/EN 61347-2-13, and with constant output voltage:DC 12V and make sure output power of the LED driver is at least equal to the rated power of all connected luminaires.
3. The power must be OFF during installation and maintenance.
4. The external flexible cable or cord of this luminaire cannot be replaced. If the cord is damaged, the luminaire shall be destroyed.
5. The light source of this luminaire can not be exchanged; if the user needs to exchange the light source (e.g. the light source is at the end of its life cycle), then the completed luminaire has to be exchanged.
6. Installation: Recessed mounted. Outdoor use.
7. Make sure the products are securely installed.
8. The housing might become hot during or after operation.
9. No modification on the product is allowed.
10. Immersed in water for long time is forbidden.
11. IP66 waterproof conjunction box need to purchase separately

INSTRUCTION

1. Order all power supplies / cables / connectors separately.
2. Connect luminaires to 12V DC power supply by IP66 junction box (purchased by customer). Make sure the wiring is correct and reliable.
3. Voltage drop in one loop should be less than 3V. Use the correct cable according to actual layout. The distance between power supply and the last luminaire should be less than 30 meters.
4. Make sure the water-proofed connectors are properly connected. Suggest to wrap the connectors by water-proofed tape for security.
5. Regular check and cleaning are required.

IP67

