

Installation Instructions

12V LED UNDERGROUND LIGHT

Rated Voltage 12V AC/DC

Thank you for purchasing this quality product. To ensure correct function and safety, please read and follow all instructions carefully before assembly, installation and use of this product. Please keep instructions for future reference.

NOTE: This installation instruction applies to the 12V side of the luminaire only.

This luminaire is 12V extra-low voltage and can be DIY.

Do not plug this luminaire directly into 240V.

Warranty

- This luminaire is covered by a 5 year warranty. The warranty is from date of purchase, not the date of installation. Please retain proof of purchase.
- Warranty will be void if there is any damage due to improper usage or modification to the luminaire.
- Failure to comply with the instructions in this manual may increase the risk of damage or injury and will void warranty.

Important: Please Read Before Installation

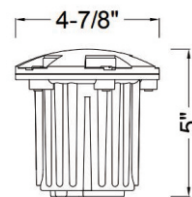
- INSTRUCTIONS PERTAINING TO A RISK OF FIRE, OR INJURY TO PERSONS Lighted lamp is HOT!
WARNING – To reduce the risk of FIRE OR INJURY TO PERSONS.
 1. Turn off/unplug and allow to cool before replacing lamp.
 2. Lamp gets HOT quickly! Contact only switch/plug when turning on.
 3. Do not touch the hot lens, guard or enclosure.
 4. Keep lamp away from materials that may burn.
 5. Do not touch lamp at any time. Use a soft cloth. Oil from skin may damage lamp.
 6. Do not operate the luminaire fitting with a missing or damaged shield.

SAVE THESE INSTRUCTIONS

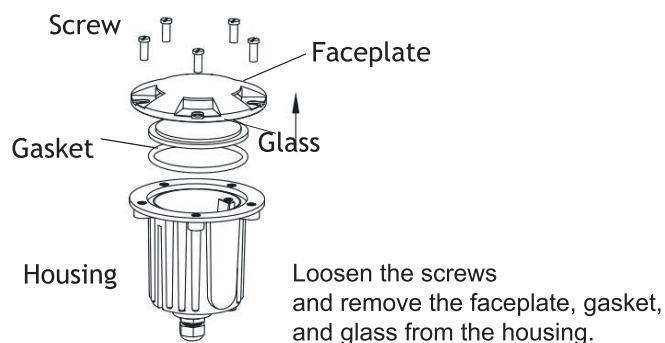
Package Contents

A. (1) Fixture

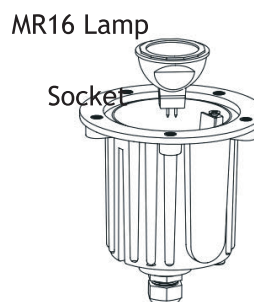
Product Dimensions



1 Remove Faceplate



2 Install Lamp



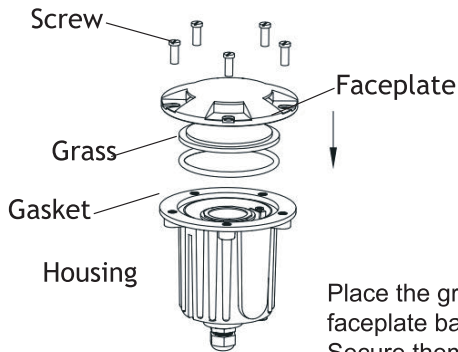
Insert the lamp with the correct wattage and type marked on the fixture label.

CAUTION: Do not exceed maximum wattage marked on luminaire label.

NOTE: DO NOT touch lamp with bare hands. Use soft cloth to handle lamp.

Installation Instructions

3 Install Faceplate



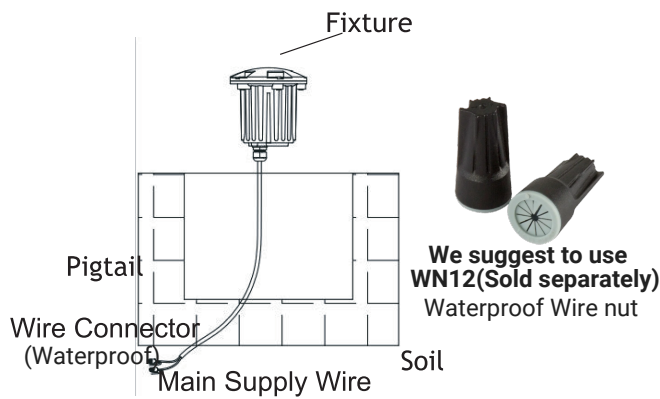
Place the grass, gasket, and faceplate back onto the housing. Secure them with the screws previously removed. Hand tighten until snug, then use a screwdriver to secure the screws using a pattern.

4 Dig Hole



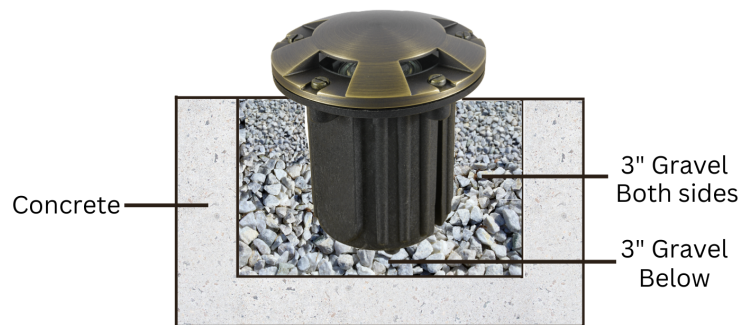
Dig a hole in the ground making sure there is approximately 3 inches of room on all sides surrounding for pea gravel or sand.

5 Wire Connection



Strip lead from the luminaire pigtail. Using wire connectors (sold separately), connect the leads from the luminaire to main supply cable leads.

6 Adjust Luminaire Direction



Install the fixture in the hole and fill the extra space with pea gravel or sand for proper water drainage.

Install/Replace Bulb

Loosen the lock screw to remove the glare guard. Then remove the inner shield to expose the bulb. Replace it with the correct wattage and type marked on the fixture label. Then reinstall the inner shield and glare guard.

IMPORTANT: Halogen bulbs must be protected from moisture and dust at all times. Always reinstall shield when removed.