

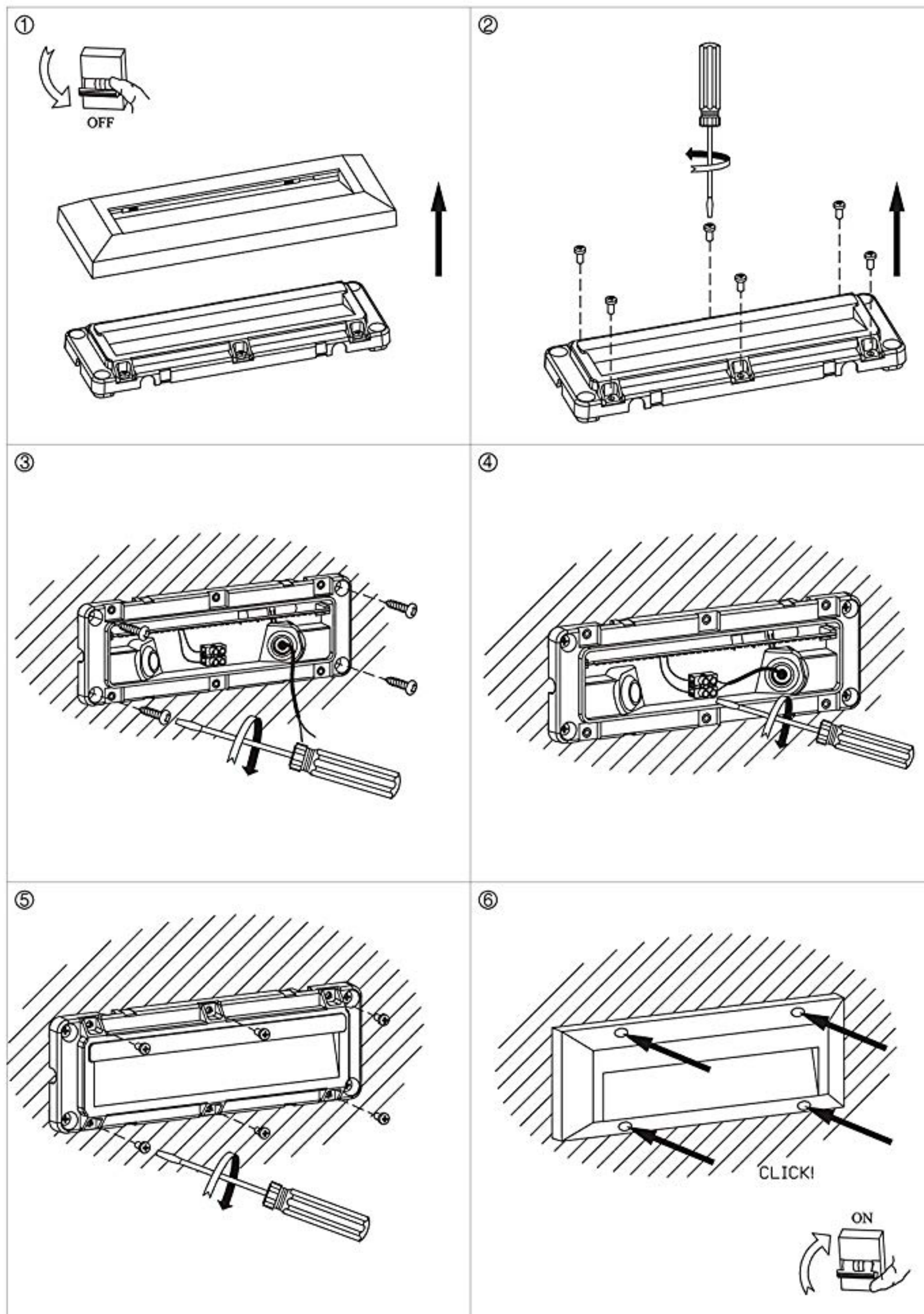
# Instruction manual of plastic LED wall light

Surface mounting, Class II

## Notice:

PLEASE READ CAREFULLY BEFORE INSTALLATION AND PRESERVE IT WELL. REPLACE ANY CRACKED PROTECTIVE SHIELD AND MUST BE INSTALLED BY A QUALIFIED ELECTRICIAN.

Install the unit according to below steps:



## SAFETY DIRECTION:

1. Before starting the installation, please ensure to disconnect the power.
2. Connect the Brown (Live) wire to the corresponding terminal on the terminal block marked **L**. Connect the Blue (Neutral) wire to the corresponding terminal on the terminal block marked **N**.
3. Please don't look at the LED directly.