

Important: Read all instructions prior to installation.

## Low Voltage hardscape Light

### SAVE THESE INSTRUCTIONS FOR FUTURE REFERENCE

Follow the assembly instructions by reading the numerical progression.

Use a qualified electrician for installation of this lighting fixture.

- Before installing fixture, disconnect power by turning off the circuit breaker or by removing the fuse at the fuse box.

All electrical connections must be in accordance with local and National Electrical Code or Canadian Electrical Code standards.

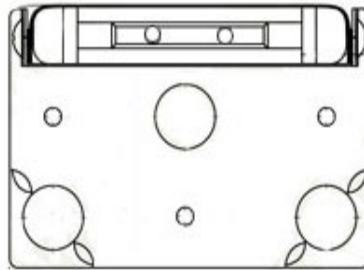
Use CSA or UL listed wire connectors suitable for the gauge, type and number of conductors.

Attach junction box grounding wire (green or bare copper) and the bare copper wire from the fixture together. If junction box has no ground wire, attach the bare copper fixture wire to the green ground screw on the crossbar.

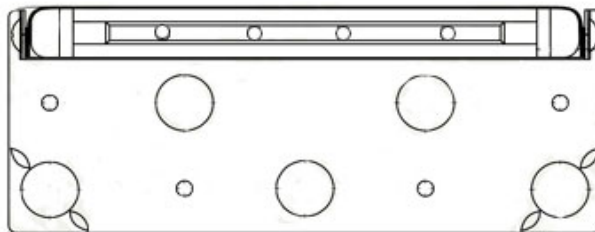
Estimated Assembly Time: 20 minutes

Tools Required For Assembly (not included): Flathead screwdriver, Phillips screwdriver, Pliers, Electrical tape and Wire cutters.

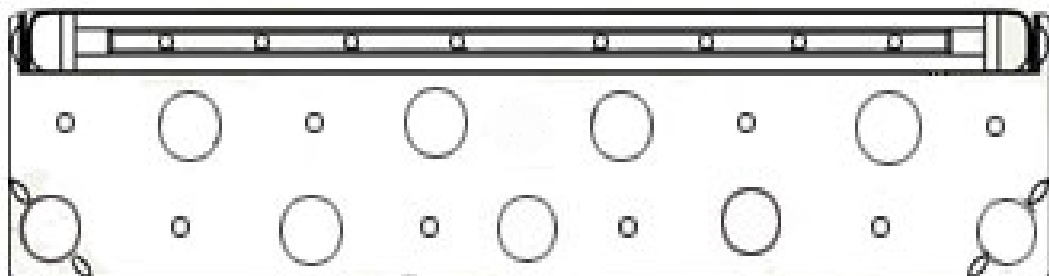
Helpful Tools (not included): Wire strippers, Ladder



STB01

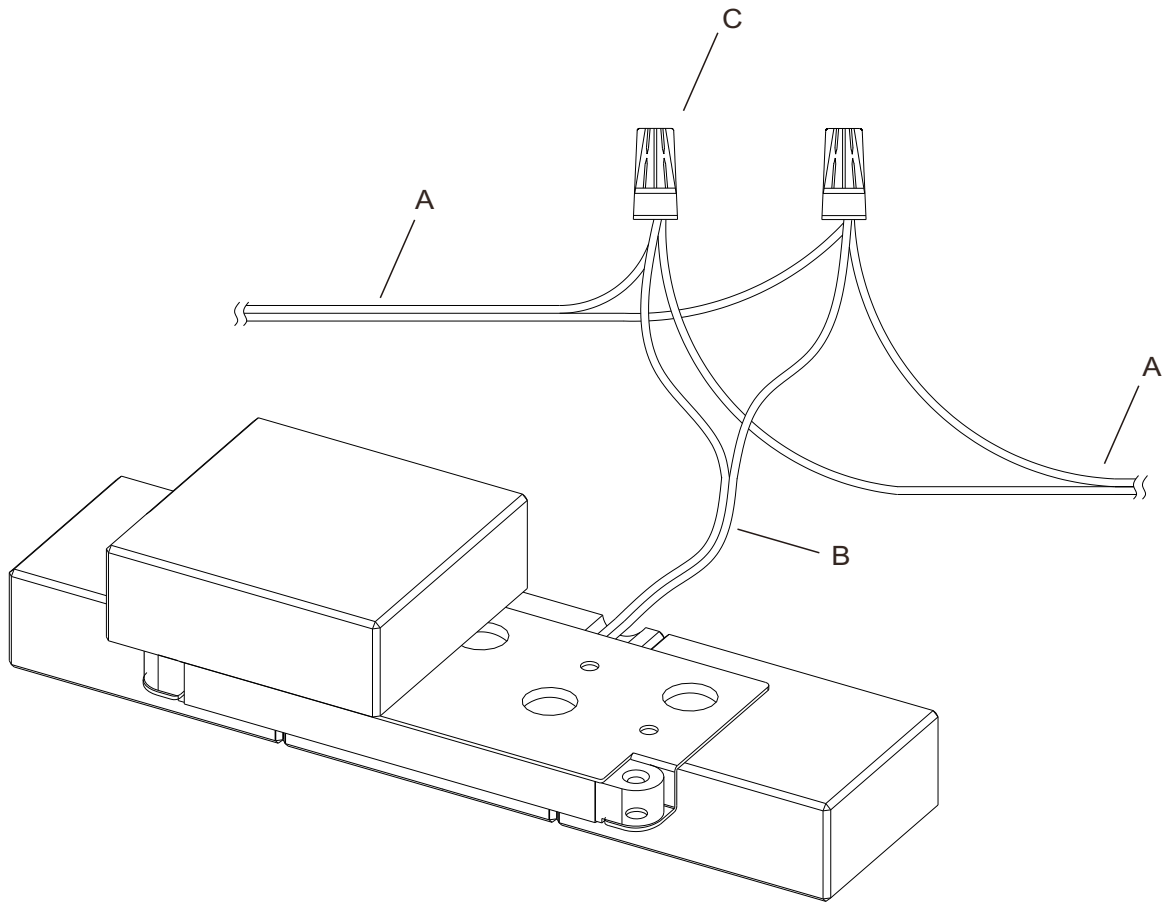


STB05



STB06

A:Main supply cable  
B:Fixture Cable  
C:Wire Nuts X2pcs(Not Included)



STB01: 12V AC/DC 120degree With 2 Integrated LEDs 3000K.

STB05: 12V AC/DC 120degree With 4 Integrated LEDs 3000K.

STB06: 12V AC/DC 120degree With 8 Integrated LEDs 3000K.

**.WARNING**-Risk of Electric shock: This fixture is not to be installed within 10 feet (3M) of a pool, spa or fountain.  
.This fixture is to be used only with a power unit (transformer) rated a maximum of 300 W (25 AMPS) 12 volts.  
.Direct burial rated wire is to be buried less than 6" (152mm) beneath the surface of the ground.  
.Wiring connections must be made with waterproof wire nuts (Not Included) or other equally suitable connector for the application. Do not exceed manufacturers' wiring combination specifications for size and quantity of conductors.  
Follow the assembly instructions by reading the character progression.